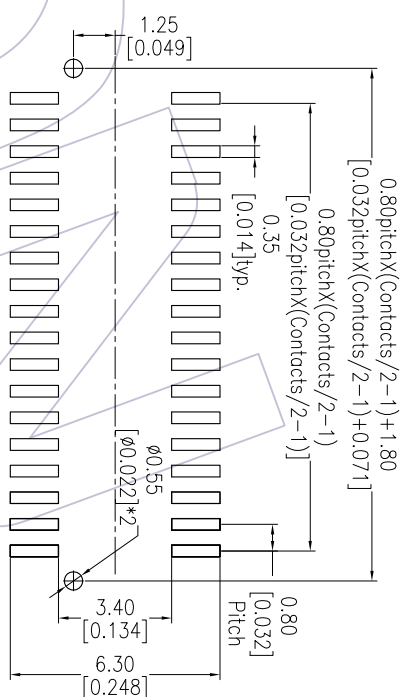
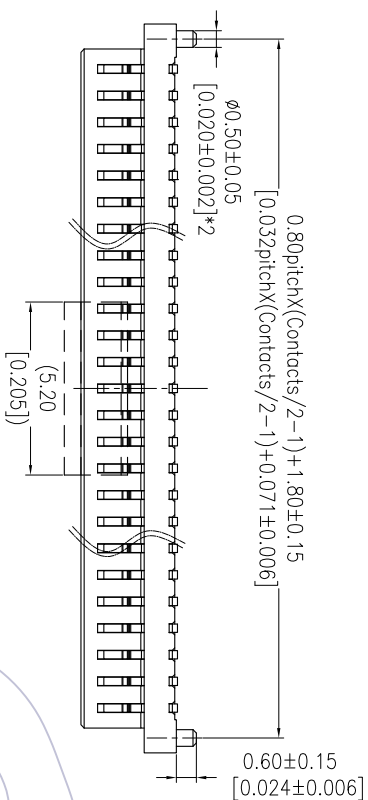


NOTES:

- Current Rating: 0.5A
- Voltage Rating: 50V AC/DC
- Contact Resistance: 50miliohm Max
- Insulation Resistance: 100Megohm Min
- Operation Temperature: -20°C to +105°C
- Housing Material: PA9T (UL94V-0)
- Cap. Material: LCP (UL94V-0)
- Contact Material: Phosphor Bronze
- Contact plating: Au or Sn over Ni

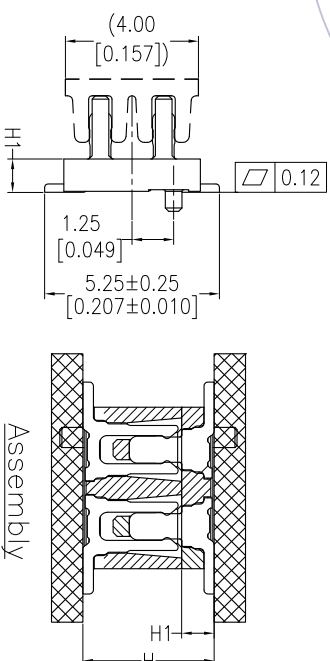
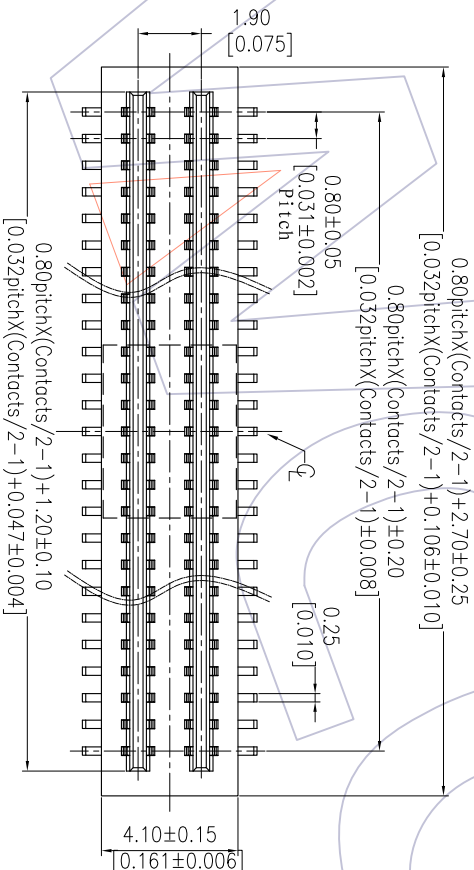


Ordering Information

3610-P XXXX - XXXX XX R 01

No. of Pins Housing High Contact Plating
 G1=3u"Gold G2=5u"Gold G3=5u"Gold
 R1=Tube R2=Tube R3=Tube R4=Tube
 S2=5u"Gold/Tin S3=5u"Gold/Tin

ASSY HIGH(H)	PLUG(H1)	SOCKET(H2)
4.00	1.00	3.00
4.50	1.50	3.00
5.00	2.00	3.00
5.50	1.50	4.00
6.00	2.00	4.00
6.50	2.00	4.50
7.00	3.00	4.00
7.50	3.00	4.50
8.00	4.00	4.00



REV	DATE	MODIFICATION DESCRIPTION	CHANGE	OPERATION		DRAW		SCALE		PART NO.		TITLE:		WCON-Dongguan		WCON-Kunshan		
				XX	±0.40	TsingSn	DATE	DATE	mm	inch	mm	inch	3610-PXXX-XXXXXR01	0.80mm B TO B	MALÉ 180° SMT TYPE	Tel: +86 769 85358920	Tel: +86 512 57468408	Fax: +86 769 85358915
A0	2012/11/02	NEW		X.XX	±0.25	CHECK	DATE	A4	1/1	Customer NO.	WCON-Dongguan		WCON-Kunshan		Tel: +86 769 85358920		Tel: +86 512 57468408	
				X.XXX	±0.15	APPROVE	DATE				WCON-Dongguan		WCON-Kunshan		Tel: +86 769 85358915		Tel: +86 512 57468468	
				Angle	± 3'						WCON-Dongguan		WCON-Kunshan		Tel: +86 769 85358915		Tel: +86 512 57468468	
				DIM	TOL						WCON-Dongguan		WCON-Kunshan		Tel: +86 769 85358915		Tel: +86 512 57468468	



Http: www.wcon.com

WCON-Dongguan
 Tel: +86 769 85358920
 Fax: +86 769 85358915
 E-mail: sales@wcon.com

WCON-Kunshan
 Tel: +86 512 57468408
 Fax: +86 512 57468468
 E-mail: sales@wcon.com