

HSF

NOTES:

Current Rating: 1.0AMP
 Contact Resistance: 20mΩ Max
 Withstand Voltage: 500V AC/DC
 Insulation Resistance: 1000MΩ Min
 Operation Temperature: -40°C to +105°C
 Contact Material: Phosphor Bronze
 Contact plating: Sn over Ni
 Insulator Material: PBT+30%G.F UL94V-0

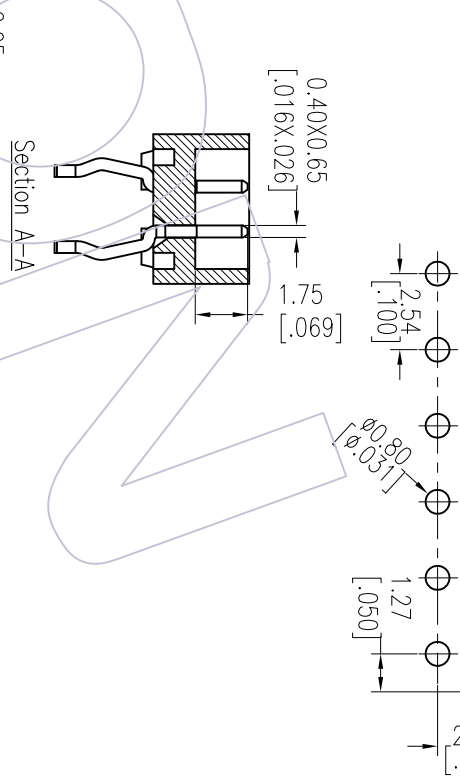
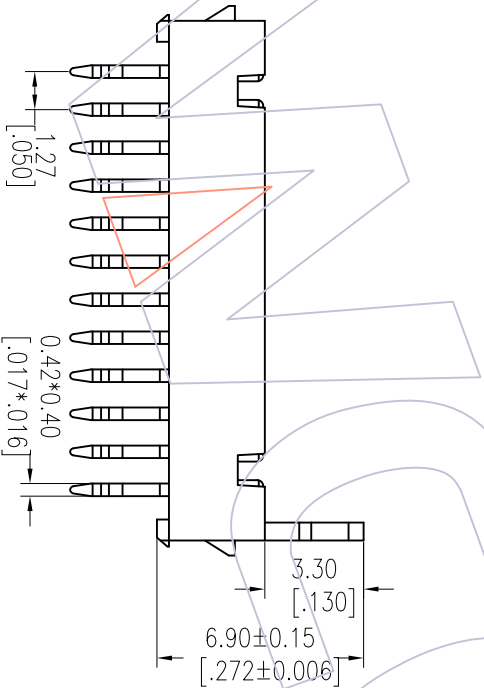
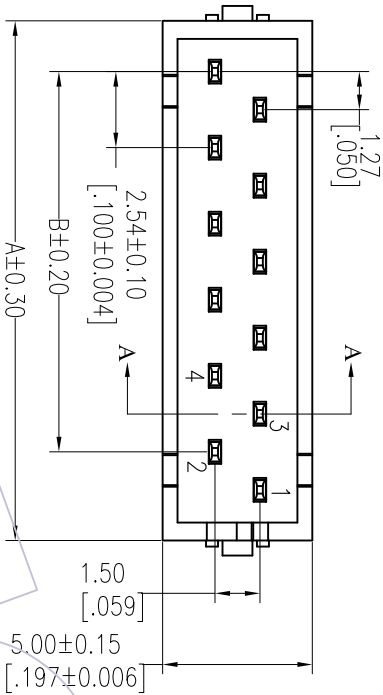
Ordering Information

3900-XX MS SN AN T 01

No. of pins
 04P 12P
 06P 14P
 08P 16P
 10P 18P
 20P

Contact Plating
 SN=7in

Packing
 T=Tube



Recommended P.C.B Layout(Top Side)
 (PCB BOARD TOLERANCE±0.05)

Dimensional & Ordering Information

Circuit	Part No.	Dimension		QTY /Tube
		A	B	
04	3900-04MSSNANT01	7.20	2.54	71pcs
06	3900-06MSSNANT01	9.74	5.08	54pcs
08	3900-08MSSNANT01	12.28	7.62	44pcs
10	3900-10MSSNANT01	14.82	10.16	37pcs
12	3900-12MSSNANT01	17.36	12.70	31pcs
14	3900-14MSSNANT01	19.90	15.24	29pcs
16	3900-16MSSNANT01	22.44	17.78	25pcs
18	3900-18MSSNANT01	24.98	20.32	22pcs
20	3900-20MSSNANT01	27.52	22.86	20pcs

WCON

Http: www.wcon.com

WCON-Dongguan

Tel: +86 769 85358920

Fax: +86 769 85358915

E-mail: sales@wcon.com

WCON-Kunshan

Tel: +86 512 57468408

Fax: +86 512 57468468

E-mail: sales@wcon.com

OPERATION	DRAW	DATE	SCALE	FIT	PART NO.
X.X	JYHuang	2014/05/28	mm	1/1	SBE TABLE
X.XX	CHECK	DATE	SIZE	A4	TITLE: Mini Match Box Header 180° DIP
X.XXX	±0.15	DATE	SHEET	1/1	Customer NO.
Angle	± 3'	DATE	PROJ.		

OPERATION	CHANGE
X.X	-----
X.XX	-----
X.XXX	-----
Angle	-----

REV	DATE	MODIFICATION DESCRIPTION
A2	2014/05/28	Micro Match --Mini Match
A1	2014/04/02	3900-12MSSNANT01:DIMA=17.63--17.36
A0	2012/10/12	NEW

REV	DATE	MODIFICATION DESCRIPTION
A2	2014/05/28	Micro Match --Mini Match
A1	2014/04/02	3900-12MSSNANT01:DIMA=17.63--17.36
A0	2012/10/12	NEW