

HSF

Recommended P.C.B Layout (Top Side)
(PCB BOARD TOLERANCE ± 0.05)

NOTES:
Current Rating:8A
Voltage Rating:300V
Contact Resistance:8milliohm Max
Withstand Voltage:AC2000V
Insulation Resistance:1000Megohm Min
Operation Temperature:-40°C to +105°C

Housing Material:PA66+30%GF(Ul94V-0) $\Delta 3$
Contact Material:Brass

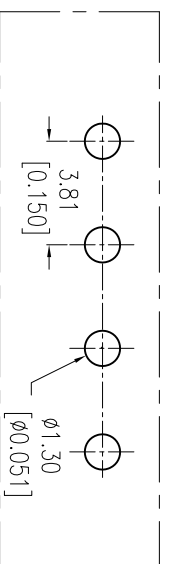
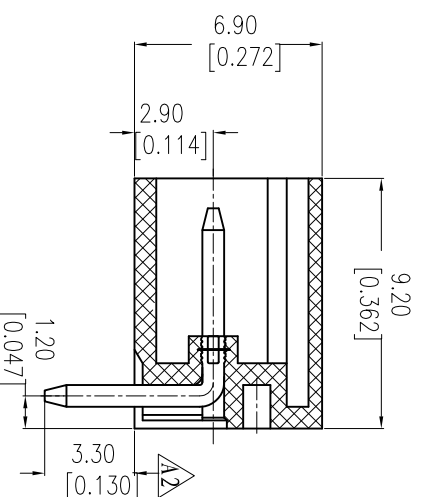
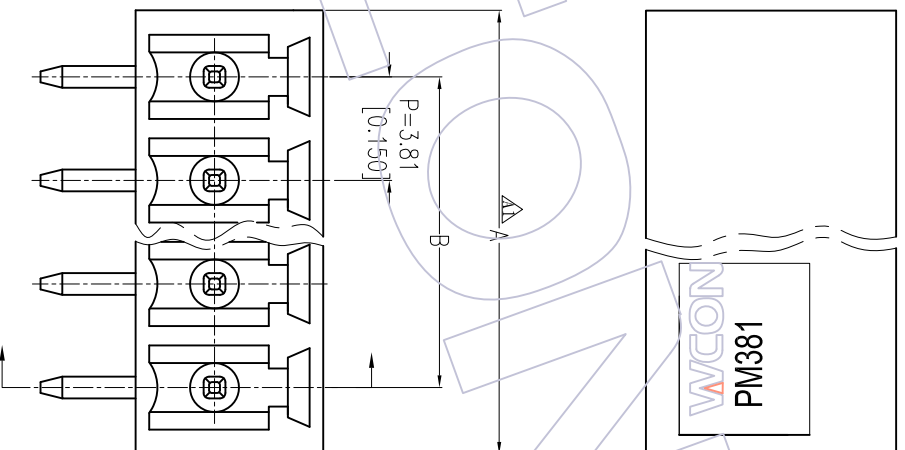
Ordering Information:

P M 381 - 1 R XX A SM 1



| | | | | | | |
|------|-------------|-------------|------|-------------|-------------|--|
| 11P | 43.30 ±0.20 | 38.10 ±0.20 | | | | |
| 10P | 39.49 ±0.20 | 34.29 ±0.20 | 20P | 77.59 ±0.30 | 72.39 ±0.30 | |
| 9P | 35.68 ±0.20 | 30.48 ±0.20 | 19P | 73.78 ±0.30 | 68.58 ±0.30 | |
| 8P | 31.87 ±0.15 | 26.67 ±0.15 | 18P | 69.97 ±0.30 | 64.77 ±0.30 | |
| 7P | 28.06 ±0.15 | 22.86 ±0.15 | 17P | 66.16 ±0.30 | 60.96 ±0.30 | |
| 6P | 24.25 ±0.15 | 19.05 ±0.15 | 16P | 62.35 ±0.30 | 57.15 ±0.30 | |
| 5P | 20.44 ±0.15 | 15.24 ±0.15 | 15P | 58.54 ±0.30 | 53.34 ±0.30 | |
| 4P | 16.63 ±0.15 | 11.43 ±0.15 | 14P | 54.73 ±0.20 | 49.53 ±0.20 | |
| 3P | 12.82 ±0.15 | 7.62 ±0.15 | 13P | 50.92 ±0.20 | 45.72 ±0.20 | |
| 2P | 9.01 ±0.15 | 3.81 ±0.10 | 12P | 47.11 ±0.20 | 41.91 ±0.20 | |
| PINS | A | B | PINS | A | B | |

| | | |
|-----------|-------|--------|
| ITEM | Pitch | Mating |
| Standard | 3.81 | PF381 |
| Alternate | | |



| | | | | | | | | | | |
|-----|------------|-----------------------------------|------------|-----------|---------|------------|-------|------|------------------------------------------------|----------------------------------------------------------------------------------------------------------------------------------------------------------------------------------------------------------------------------|
| A3 | 2013/06/05 | Modify The Housing Material | $\Delta 3$ | OPERATION | DRAW | DATE | SCALE | FIT | PART NO. | WCON Http: www.wcon.com WCON-Dongguan Tel: +86 769 85358920 Fax: +86 769 85358915 E-mail: sdes@wcon.com WCON-Kunshan Tel: +86 512 57468408 Fax: +86 512 57468468 E-mail: sdesks@wcon.com |
| A2 | 2013/04/24 | Modify The Dimension 3.50 To 3.30 | $\Delta 3$ | XX | Tsingna | 2013/06/05 | mm | inch | PM381-1RXXASM1 | |
| A1 | 2012/07/27 | MODIFY | $\Delta 3$ | X.XXX | CHECK | DATE | A4 | | 3.81mm Pitch Male Pluggable Terminal Blocks | |
| A0 | 2012/05/15 | NEW | | Angle | APPROVE | DATE | 1/1 | | Customer NO. | |
| REV | DATE | MODIFICATION DESCRIPTION | CHANGE | DIM | TOL | | | | | |