

# HSF

NOTES:  
 Current Rating: 3.0AMP  
 Contact Resistance: 20mΩ Max  
 Withstand Voltage: 500V AC/DC  
 Insulation Resistance: 1000MΩ Min  
 Operation Temperature: -55°C to +105°C

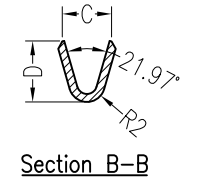
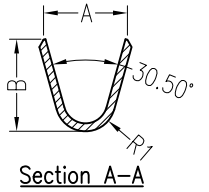
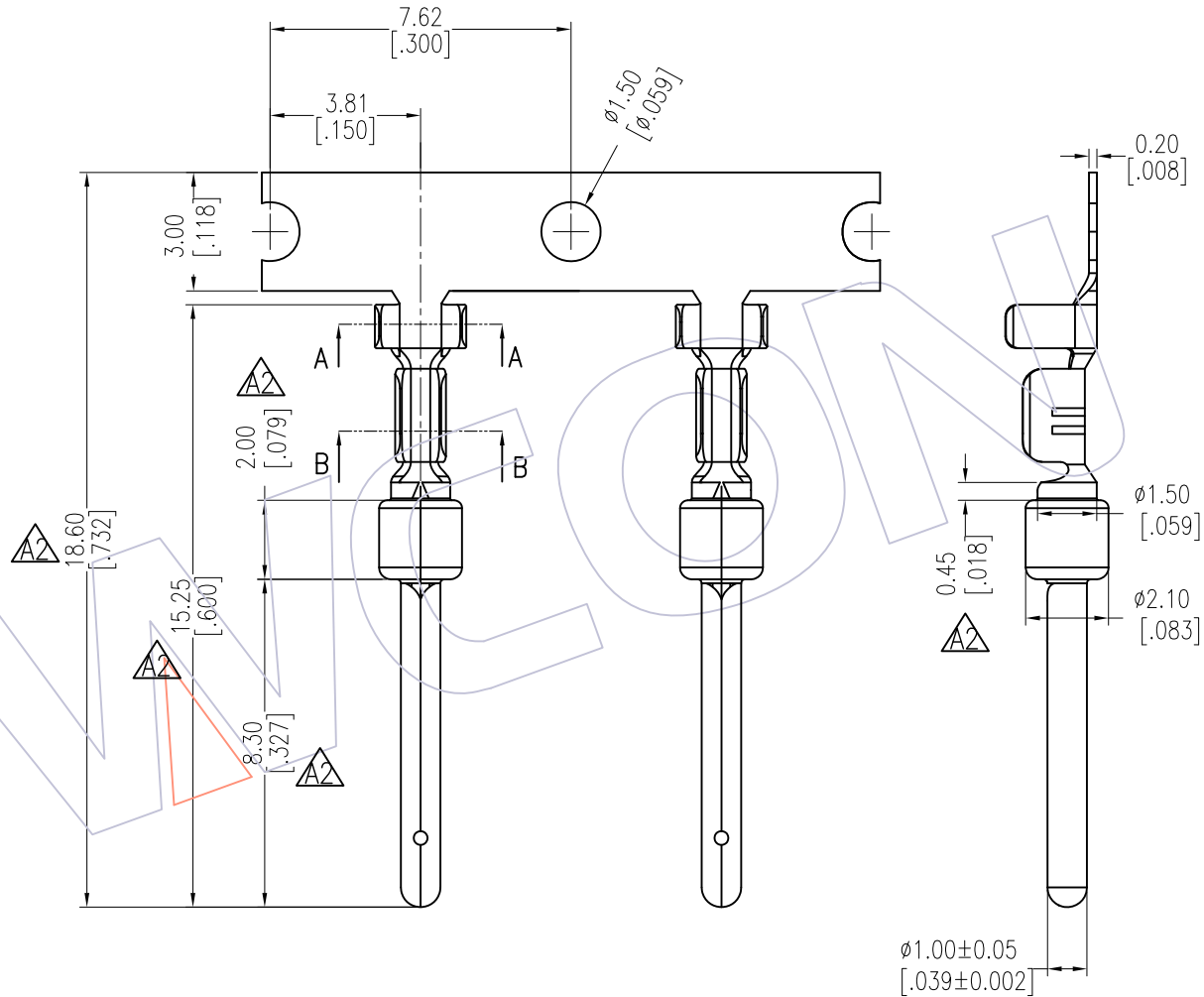
Contact Material: Phosphor Bronze/Brass  
 Contact plating: Au Or Sn Over Ni

## Ordering Information

T6221 - M C 0 B XX 01

Contact Material  
B=Brass

Contact Plating  
 G0=Gold Flash  
 G1=3u"Gold  
 G2=5u"Gold  
 G3=10u"Gold  
 S0=Gold Flash/Ni  
 S3=10u"Gold/Tin  
 S4=15u"Gold/Tin  
 S5=30u"Gold/Tin  
 SN=Tin



DIM	AWG	#24-26
A		2.14
B		2.26
C		1.75
D		1.54
R1		R0.90
R2		R0.75

REV	DATE	MODIFICATION DESCRIPTION	CHANGE	OPERATION	DRAW	DATE	SCALE	FIT	PART NO.
A2	2015/09/03	Modify	△	x.x ±0.40	Allen	2015/09/03	UNIT	mm	T6221-MCOBXX01
A1	2015/03/13	Modify	△	x.xx ±0.25	CHECK	DATE	SIZE	A4	TITLE: D-SUB CONNECTOR
A0	2013/01/08	NEW	----	x.xxx ±0.15	APPROVE	DATE	SHEET	1/1	CRIMP TYPE MALE TERMINAL
				Angle ± 3'			PROJ.		Customer NO.
				DIM TOL					

# WCON

Http: www.wcon.com

WCON-Dongguan Tel: +86 769 85358920 Fax: +86 769 85358915 E-mail: sales@wcon.com  
 WCON-Kunshan Tel: +86 512 57468408 Fax: +86 512 57468468 E-mail: salesks@wcon.com