

# HSF

**NOTES:**

Current Rating: 3.0AMP  
 Contact Resistance: 35mΩ Max  
 Withstand Voltage: 500V AC/DC  
 Insulation Resistance: 500MΩ Min  
 Operation Temperature: -40°C to +105°C

Contact Material: Phosphor Bronze  
 Contact Plating: Au and Sn over Ni  
 Shell Material: Zinc Alloy  
 Shell Plating: Ni 100u"  
 Fixing Material: Phosphor Bronze  
 Fixing Plating: Sn over Ni  
 Housing Material: PBT+30%G.F.(UL94V-0)  
 Cover Material: PBT+30%G.F.(UL94V-0)

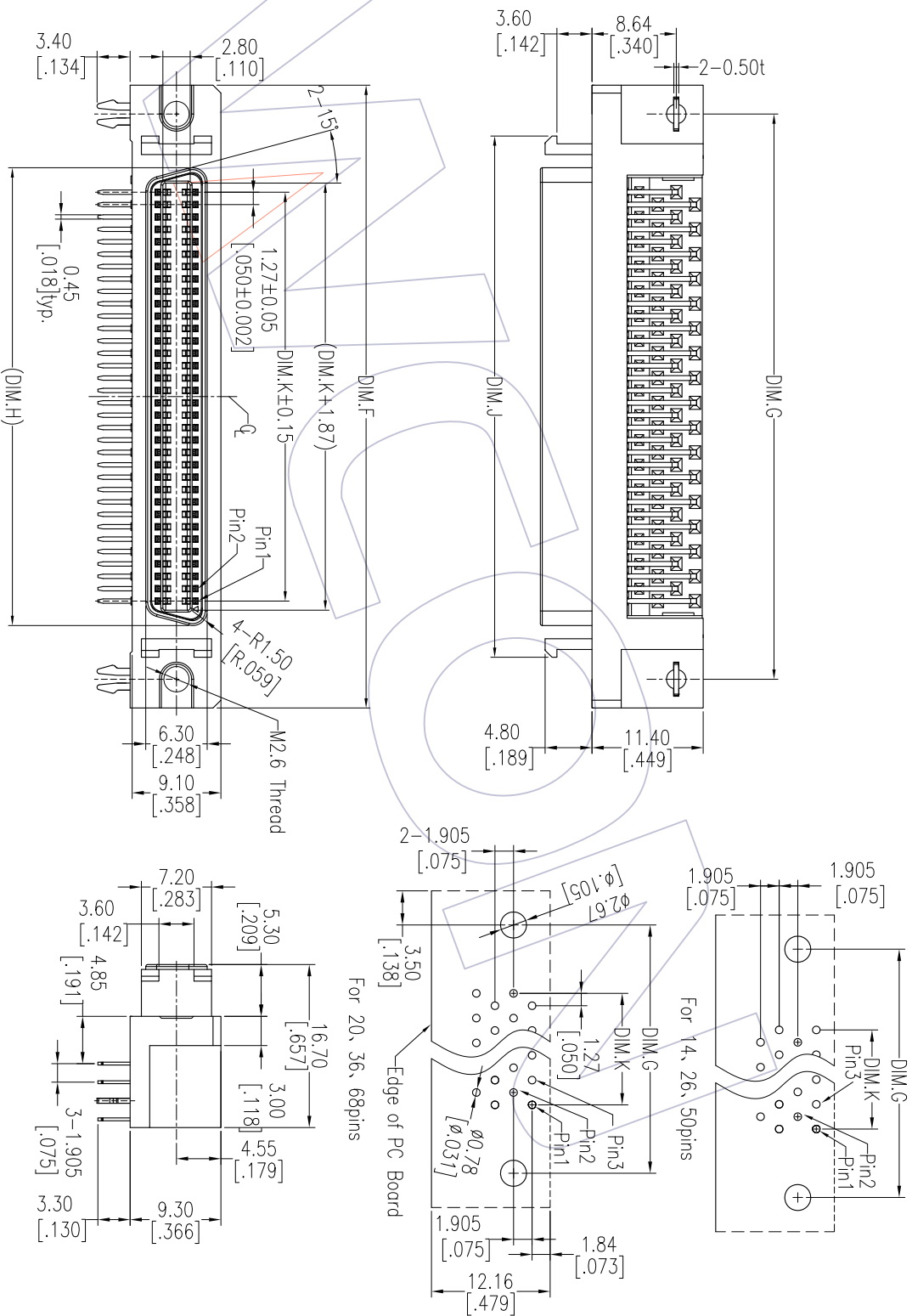
## Ordering Information

6321-0 XX R D SX M W A 02

No. of Pins	Contact Plating	A=Tray
14P 36P	SI=3u"Gold/Tin	
20P 50P	S3=10u"Gold/Tin	
26P 68P	S4=15u"Gold/Tin	
	S5=30u"Gold/Tin	

DIM.J	DIM.K	DIM.H	DIM.G	DIM.F	PIN数
53.43	41.91	46.83	57.93	63.83	68
42.00	30.48	35.40	46.50	52.40	50
33.11	21.59	26.51	37.61	43.51	36
26.76	15.24	20.16	31.26	37.16	26
22.95	11.43	16.35	27.45	33.35	20
19.14	7.62	12.54	23.64	29.54	14



Recommended P.C.B Layout (Top Side)  
 (PCB BOARD TOLERANCE±0.05)

For 20, 36, 68pins

For 14, 26, 50pins

Edge of PC Board

REV	DATE	MODIFICATION DESCRIPTION	CHANGE	OPERATION	DRAW	DATE	SCALE	FIT	PART NO.
A1	2013/08/28	Modify DIM.H	---	XX	JYHuang	2013/08/28	±0.40	mm	6321-0XXRDSXWMA02
A0	2013/08/20	NEW	---	X.XXX	CHECK	DATE	±0.25	mm	TITLE: 1. 27PITCH GEN TYPE SCSI FEMALE DIP (鱼叉拨向)
REV	DATE	MODIFICATION DESCRIPTION	CHANGE	Angle	APPROVE	DATE	± 3'	SHEET	Customer NO.
				DIM TOL				1/2	

# WCON

Http: www.wcon.com

WCON-Dongguan  
 Tel: +86 769 85358920  
 Fax: +86 769 85358915  
 E-mail: sales@wcon.com

WCON-Kunshan  
 Tel: +86 512 57468408  
 Fax: +86 512 57468468  
 E-mail: sales@wcon.com