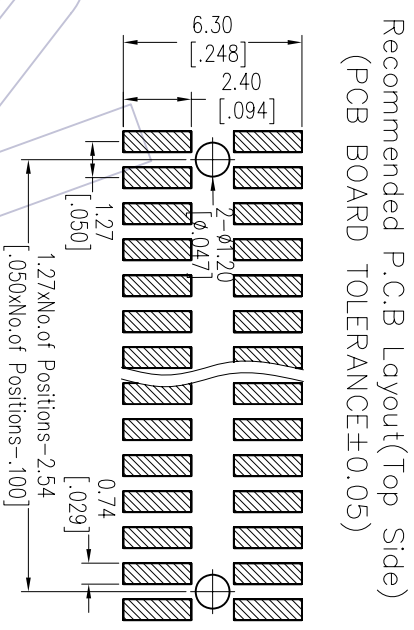
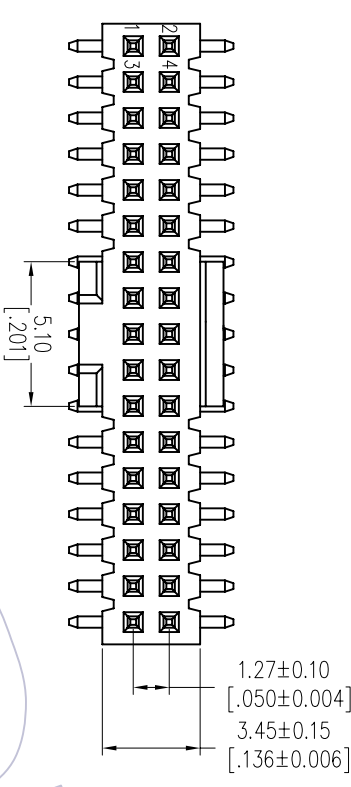


HSF

NOTES:

- Rated Current: 1.0AMP
- Contact Resistance: 20mΩ max
- Withstand Voltage: 500V AC/DC
- Insulation Resistance: 1000MΩ min
- Operation Temperature: -40°C to +105°C
- Contact Material: Brass
- Contact Plating: Au or Sn Over Ni
- Insulator Material: LCP+30%G.F UL94V-0

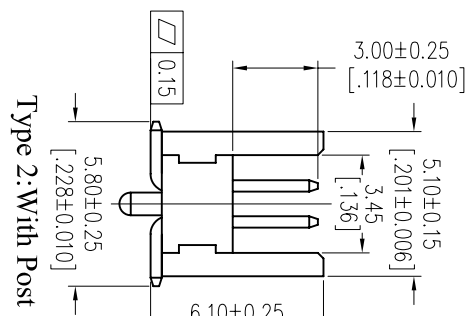
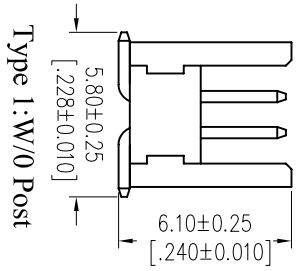
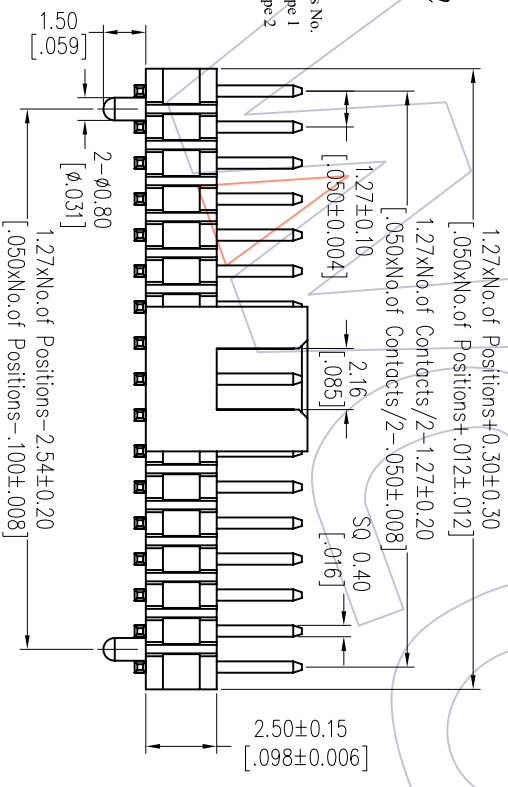


Recommended P.C.B Layout(Top Side)
(PCB BOARD TOLERANCE±0.05)

Ordering Information

3132-XX M XX B K00 XX

- No.of Pins
- Contact Plating
- Color Insulator
- Packing
- Series No.
- 10 34 G0=Gold Flash B=Black T=Tube 1=Type 1
- 14 40 G3=10urGold W=White R=Reel 2=Type 2
- 16 44 G4=5urGold
- 20 50 G5=30urGold
- 24 60 S0=Gold Flash/Tin
- 26 64 S3=10urGold/Tin
- 30 80 S4=15urGold/Tin
- 32 100 S5=30urGold/Tin
- SN=Tin



Item	Pitch	Mating
Standard	1.27	5232
Alternate		

OPERATION		DRAW		DATE		SCALE		PART NO.	
XX		JYhuong		2012/09/15		FIT		3132-XXMXXBK00XX	
XX		CHECK		DATE		UNIT		TITLE:	
X.XXX		± 0.15		DATE		mm		1.27mm BOX SMT "S" TYPE H=6.10	
Angle		± 3'		DATE		SHEET		Customer NO.	
DWM		TOL		DATE		1/1		Customer NO.	
PROJ.		PROJ.		DATE		PROJ.		Customer NO.	
REV		DATE		MODIFICATION DESCRIPTION		CHANGE		Customer NO.	
A0		2012/09/18		NEW		---		Customer NO.	
REV		DATE		MODIFICATION DESCRIPTION		CHANGE		Customer NO.	

WCON

WCON-Dongguan
Tel: +86 769 85358920
Fax: +86 769 85358915
E-mail: sales@wcon.com

WCON-Kunshan
Tel: +86 512 57468408
Fax: +86 512 57468468
E-mail: sales@wcon.com