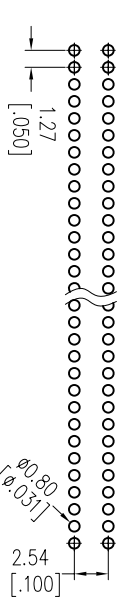


# HSF

Recommended P.C.B Layout (Top Side)  
(PCB BOARD TOLERANCE ±0.05)



NOTES:  
 Current Rating: 1.0AMP  
 Contact Resistance: 20mΩ Max  
 Withstand Voltage: 500V AC/DC  
 Insulation Resistance: 1000MΩ Min  
 Operation Temperature: -40°C to +105°C

Contact Material: Brass  
 Contact plating: Au Or Sn over Ni  
 Insulator Material: PA9T+30%G.F UL94V-0

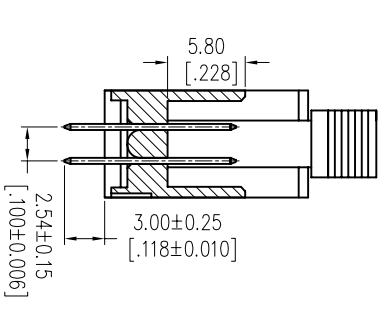
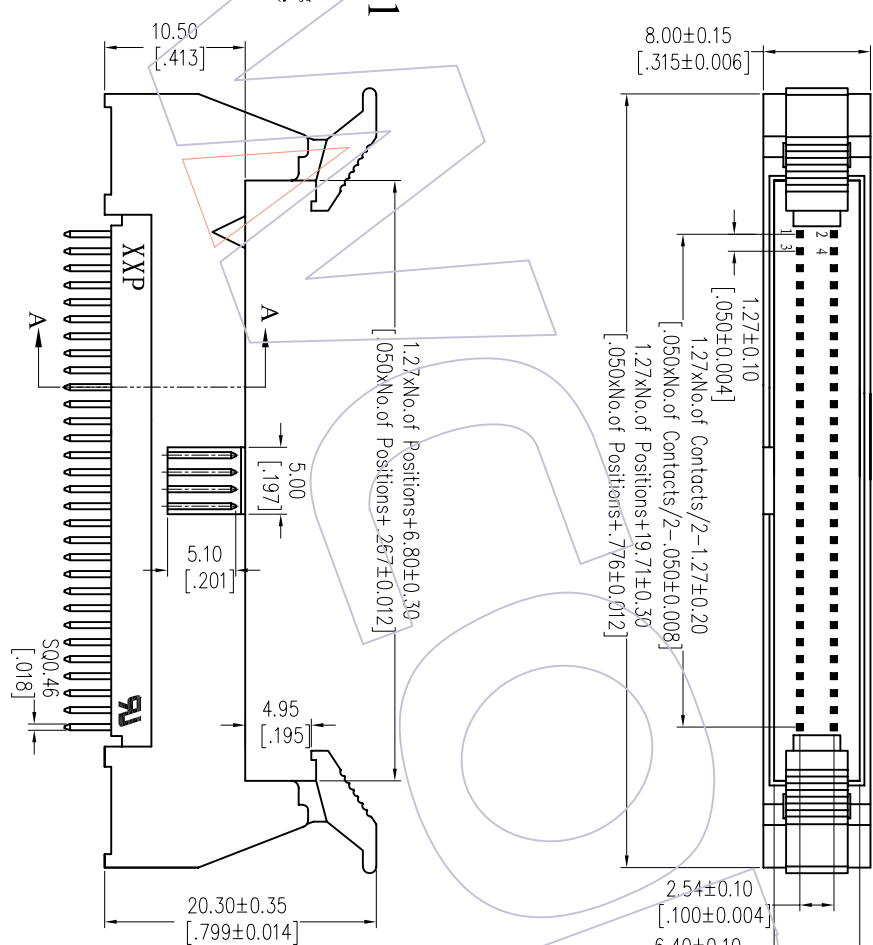
## Ordering Information

3240-XX S XX BS X 1

No. of Pins    Contact Plating    Color Insulator    Packing

10 30    G0=Gold Flash    B=Black    T=Tube  
 12 32    G3=10u"Gold    U=Blue  
 14 34    G4=15u"Gold    W=White  
 16 40    G5=30u"Gold  
 20 44    S0=Gold Flash/Tin  
 24 50    S3=10u"Gold/Tin  
 26 60    S4=15u"Gold/Tin  
 64    S5=30u"Gold/Tin  
 80    SN=Tin  
 100

Item	Pitch	Mating
Standard	1.27X2.54	5242
Alternate		



REV	DATE	MODIFICATION DESCRIPTION	CHANGE	OPERATION	DRAW	DATE	SCALE	FIT	PART NO.	
A0	2012/10/05	NEW	---	XX	JYHuong	2012/10/05	±0.40	mm	3240-XXXXXXBSX1	
REV	DATE	MODIFICATION DESCRIPTION	CHANGE	Angle	CHECK	DATE	± 3'	A4	TITLE:	
A0	2012/10/05	NEW	---	X.XXX	---	---	±0.15	1/1	1.27*2.54 EJECTOR HEADER 180° DIP	
REV	DATE	MODIFICATION DESCRIPTION	CHANGE	APPROVE	DATE	PROJ.	Customer NO.	WCON-Dongguan    Http: www.wcon.com WCON-Kunshan Tel: +86 769 85358920    Tel: +86 512 57468408 Fax: +86 769 85358915    Fax: +86 512 57468468 E-mail: sales@wcon.com    E-mail: sales@wcon.com		