

# HSF

**NOTES:**

Rated Current:3.0AMP  
 Contact Resistance:20mΩ max  
 Withstand Voltage:1000V AC/DC  
 Insulation Resistance:1000MΩ min  
 Operation Temperature:-40℃ to +105℃

Contact Material:Phosphor Bronze  
 Contact Plating:Au or Sn Over Ni  
 Insulator Material:PA9T+30%G.F UL94V-0

## Ordering Information

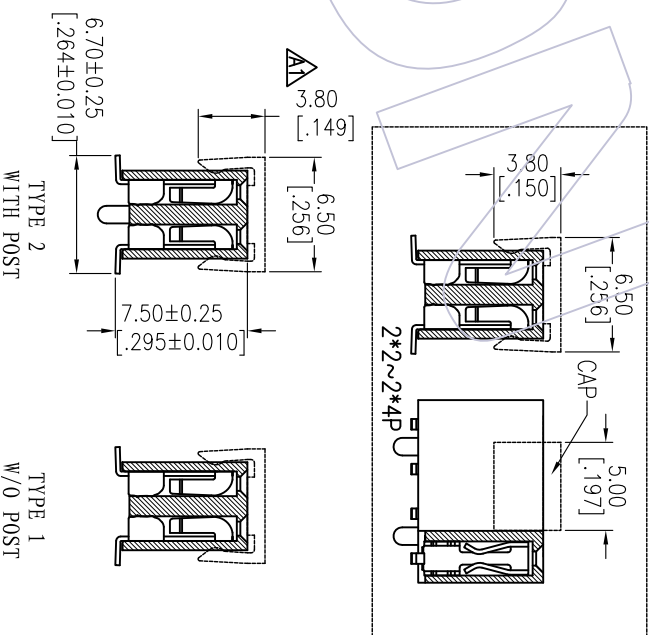
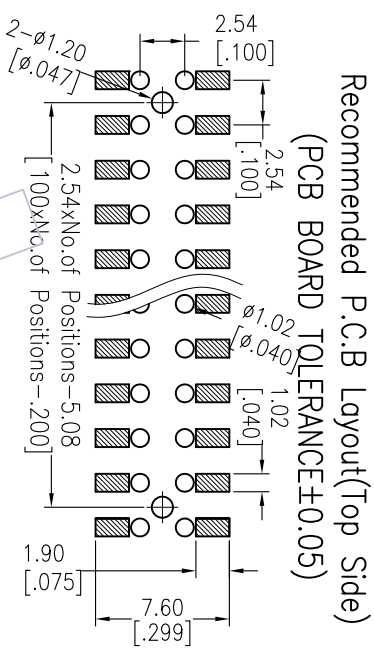
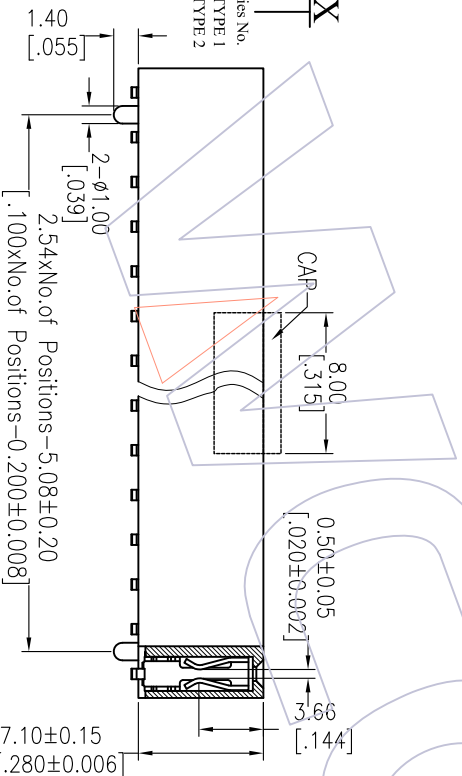
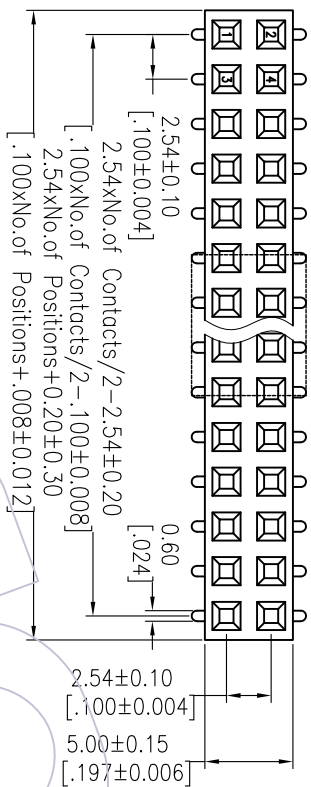
2171-2 XX M XX CUN XX

No. of Pins per Row:02-40P  
 Contact Plating  
 G0=Gold Flash  
 G3=10u"Gold  
 G4=15u"Gold  
 G5=30u"Gold  
 SP=Gold Flash/Tin  
 S3=10u"Gold/Tin  
 S4=15u"Gold/Tin  
 S5=30u"Gold/Tin  
 SN=Tin

Packing  
 T=Tube  
 P=Tube+CAP  
 R=1Tape&Reel+CAP

Series No.  
 1=TYPE 1  
 2=TYPE 2

Item	Pitch	Mating
Standard	2.54	1115/1120/1125
Alternate		



TYPE	PART NO.
TYPE 1	2171-2XXMXXCUNX1
TYPE 2	2171-2XXMXXCUNX2

OPERATION	DRAW	DATE	SCALE	FIT	PART NO.
X.X	wmg	2013/06/17	mm		SEE TABLE
X.XX	CHECK	DATE	UNIT	SIZE	TITLE:
X.XXX	APPROVE	DATE	A4	1/1	FH2.54 DUAL ROW 180° SMT H=7.1
Angle					Customer NO.
± 3'					
DIM					
TOL					

REV	DATE	MODIFICATION DESCRIPTION	CHANGE
A1	13/06/17	Modify CAP 4.30→3.80	
A0	12/08/13	NEW	
1			

# WCON

Http: www.wcon.com

WCON-Dongguan  
 Tel: +86 769 85358920  
 Fax: +86 769 85358915  
 E-mail: sales@wcon.com

WCON-Kunshan  
 Tel: +86 512 57468408  
 Fax: +86 512 57468468  
 E-mail: sales@wcon.com