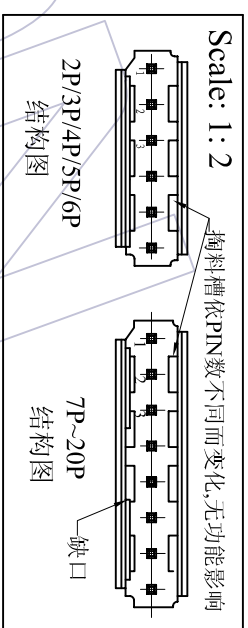
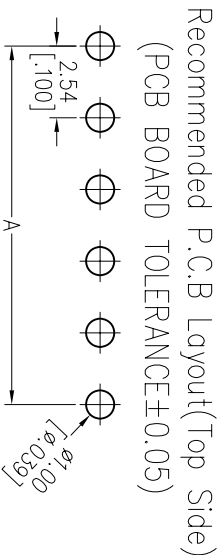
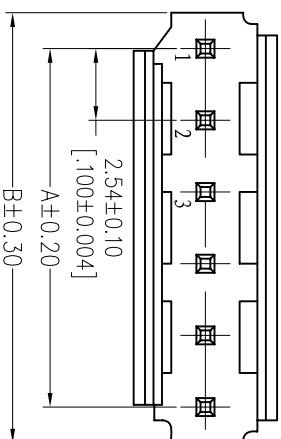


HSF

NOTES:

Rated Current: 3.0A
 Contact Resistance: 20mΩ max
 Withstand Voltage: 1000V AC/Minute
 Insulation Resistance: 1000MΩ min
 Operation Temperature: -25°C to +85°C

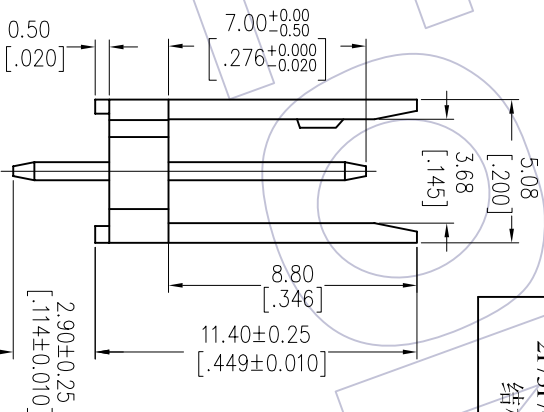
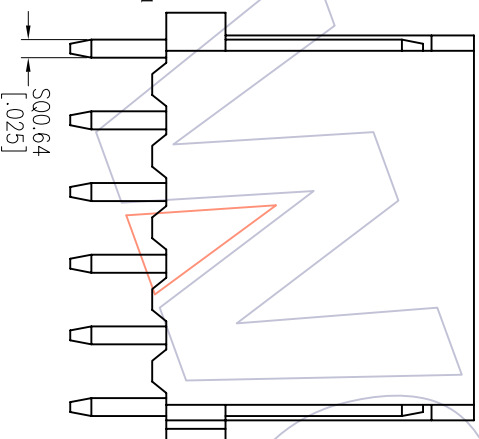
Contact Material: Brass
 Contact plating: Au Or Sn Over Ni
 Insulator Material: PA66 (UL94V-0)



Ordering Information

WF2547 - 1 WS XX XXX X 1

No. of Row Single Row
 Contact Plating S0=Gold Flash/Tin W=White U=Blue B=Black
 Color W=White U=Blue B=Black R=Tap&Reel
 Packing S3=10u"Gold/Tin S5=30u"Gold/Tin
 No. of pins S4=1.5u"Gold/Tin G0=Gold Flash G3=10u"Gold G4=1.5u"Gold G5=30u"Gold Blank=Tin



Circuit	Part No.	Dimension	
		A	B
02	WF2547-1WS02XX1	2.54	5.08
03	WF2547-1WS03XX1	5.08	7.62
04	WF2547-1WS04XX1	7.62	10.16
05	WF2547-1WS05XX1	10.16	12.70
06	WF2547-1WS06XX1	12.70	15.24
07	WF2547-1WS07XX1	15.24	17.78
08	WF2547-1WS08XX1	17.78	20.32
09	WF2547-1WS09XX1	20.32	22.86
10	WF2547-1WS10XX1	22.86	25.40
11	WF2547-1WS11XX1	25.40	27.94
12	WF2547-1WS12XX1	27.94	30.48
13	WF2547-1WS13XX1	30.48	33.02
14	WF2547-1WS14XX1	33.02	35.56
15	WF2547-1WS15XX1	35.56	38.10
16	WF2547-1WS16XX1	38.10	40.64
17	WF2547-1WS17XX1	40.64	43.18
18	WF2547-1WS18XX1	43.18	45.72
19	WF2547-1WS19XX1	45.72	48.26
20	WF2547-1WS20XX1	48.26	50.80

OPERATION	±0.40	DRAW	JYHuang	DATE	2012/09/08
CHECK	±0.25	CHECK		DATE	
Angle	±0.15	APPROVE		DATE	
DIM	± 3'	PROJ.			

PART NO. SEE TAB
 TITLE: "T" TYPE 2.54 WAFER SINGLE ROW 180°
 Customer NO.

WCON

Http: www.wcon.com

WCON-Dongguan Tel: +86 769 85358920 Fax: +86 769 85358915 E-mail: sales@wcon.com

WCON-Kunshan Tel: +86 512 57468408 Fax: +86 512 57468468 E-mail: sales@wcon.com

REV	DATE	MODIFICATION DESCRIPTION	CHANGE
AO	2012/09/08	NEW	