

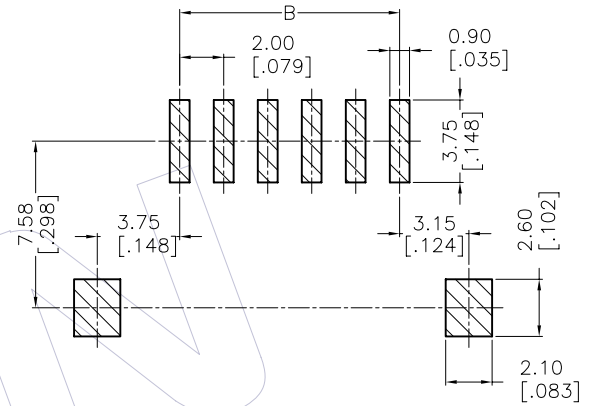
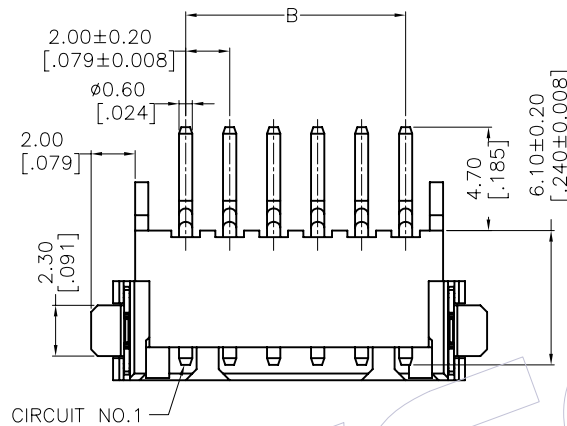
# HSF

**NOTES:**

Current Rating:2.0A AMP  
 Contact Resistance:10milliohm Max  
 Withstand Voltage:1000V AC/Minute  
 Insulation Resistance:1000Megohm Min  
 Operation Temperature:-25°C to +105°C

Housing Material:PA6T(UL94V-0)  
 Contact Material:Brass  
 Contact plating:Sn over Ni Plating

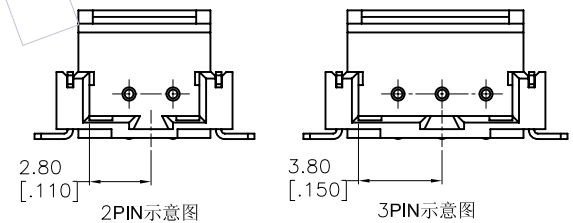
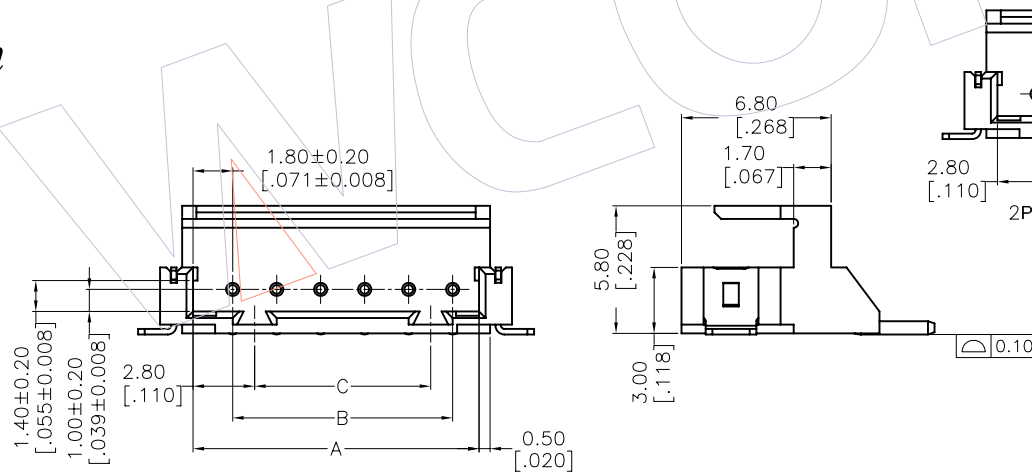
RECOMMENDED PCB LAYOUT  
 TOLERANCE IS ±0.05



## Ordering Information

WF2006A-WZ XX E 01

Terminal Shape: WZ:90° SMT  
 No. of Pins: 02-15P  
 Colour: E:Beige



15	31.00[1.220]	28.00[1.102]	26.00[1.024]
14	29.00[1.142]	26.00[1.024]	24.00[0.945]
13	27.00[1.063]	24.00[0.945]	22.00[0.866]
12	25.00[0.984]	22.00[0.866]	20.00[0.787]
11	23.00[0.906]	20.00[0.787]	18.00[0.709]
10	21.00[0.827]	18.00[0.709]	16.00[0.630]
9	19.00[0.748]	16.00[0.630]	14.00[0.551]
8	17.00[0.669]	14.00[0.551]	12.00[0.472]
7	15.00[0.591]	12.00[0.472]	10.00[0.394]
6	13.00[0.512]	10.00[0.394]	8.00[0.315]
5	11.00[0.433]	8.00[0.315]	6.00[0.236]
4	9.00[0.354]	6.00[0.236]	4.00[0.157]
3	7.00[0.276]	4.00[0.157]	NA
2	5.00[0.197]	2.00[0.079]	NA
PIN数	A	B	C

		OPERATION		DRAW		DATE		SCALE		PART NO.		
		X.X	±0.40	Sam		2013.02.22		1:1		WF2006A-WZXXE01		
		X.XX	±0.25	CHECK		DATE		mm		TITLE:		
		X.XXX	±0.15	APPROVE		DATE		inch		2.00mm WAFER 2006A 90° SMT		
A0		2013.02.22	NEW	Angle ± 3'		DATE		A4		Customer NO.		
REV	DATE	MODIFICATION DESCRIPTION		CHANG	DIM	TOL	SHEET		1/1			
							PROJ.		Φ			

# WCON

Http: www.wcon.com

WCON-Dongguan  
 Tel: +86 769 85358920  
 Fax: +86 769 85358915  
 E-mail: sales@wcon.com

WCON-Kunshan  
 Tel: +86 512 57468408  
 Fax: +86 512 57468468  
 E-mail: salesks@wcon.com