

HSPF

TECHNICAL SPECS:

Current Rating: 3.0AMP
 Contact Resistance: 10mΩ Max
 Dielectric Strength: Min 1000VRMS
 Mechanical Life: Min 500 cycles
 Mating Pin: $\varnothing 0.40$ to $\varnothing 0.66$ mm or 0.50SQ
 Forces: (polished steel gauge $\varnothing 0.47$ mm)
 Insertion: 200g Max/Pin, Withdrawal: 60g/Pin
 Operation Temperature: -40°C to +105°C

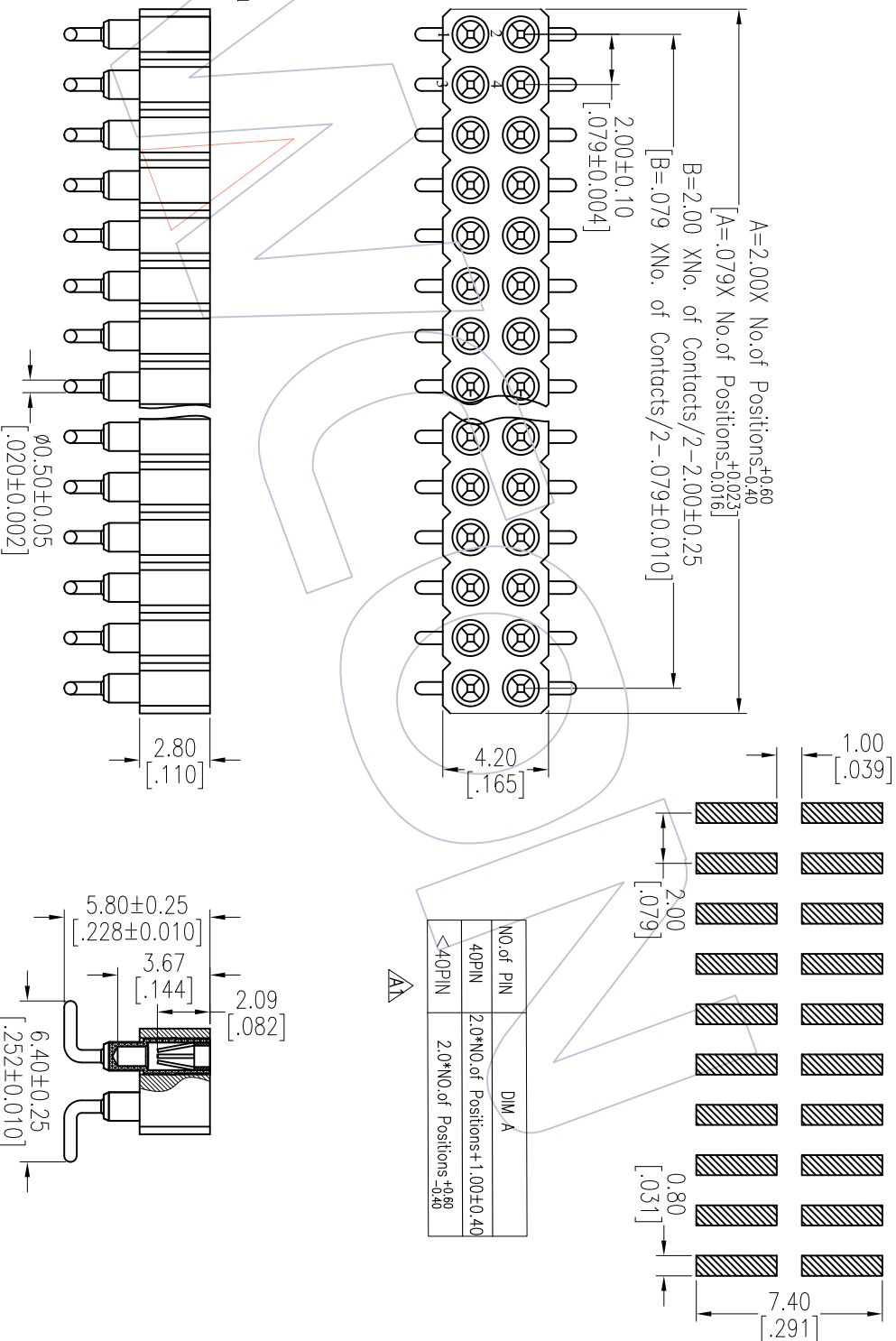
Sleeve: Brass CuZn36Pb3(C36000), Sn over Ni
 Contact Clip(4 finger): BeCu(C17200), Au or Sn over Ni
 Insulator Material: PPS+30%G.F.(UL94V-0)

Ordering Information

3522-282 XX M XX 074 X 1

No. of Pin: 2-40PIN
 Contact Plating: S0=Gold Flash/Tin T=Tube
 Packing: S3=10ur"Gold/Tin R=Tape&Reel
 S4=15ur"Gold/Tin
 S5=30ur"Gold/Tin
 SN=Tin

Item	Pitch	Mating
Standard	2.00	3512
Alternate		



Recommended P.C.B Layout(Top Side)
 (PCB BOARD TOLERANCE±0.05)

OPERATION		DRAW		DATE		SCALE		PART NO.	
XX	±0.40	Wang		2013/05/17		mm		3522-282XXMX074X1	
CHECK		CHECK		DATE		UNIT		TITLE:	
X.XX	±0.25					A4		2.00mm MACHINED FEMALE HEADER	
X.XXX	±0.15	APPROVE		DATE	SHEET	1/1	DIAL ROW SMT H=2.80 L=7.4		
Angle	± 3'	DATE		PROJ.	Customer NO.				
DIM	TOL	CHANGE							
MODIFICATION DESCRIPTION		Customer NO.							
REV	DATE								
A1	2013/05/17	Modify drawing							
A0	2012/10/17	NEW							
REV	DATE	MODIFICATION DESCRIPTION							

WCON

Http: www.wcon.com
 WCON-Dongguan
 Tel: +86 769 85358920
 Fax: +86 769 85358915
 E-mail: sales@wcon.com
 WCON-Kunshan
 Tel: +86 512 57468408
 Fax: +86 512 57468468
 E-mail: sales@wcon.com