

# HSF

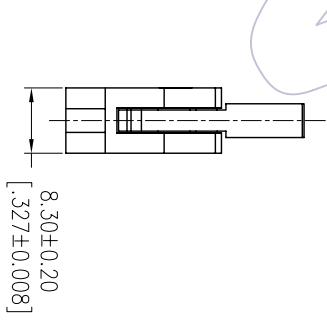
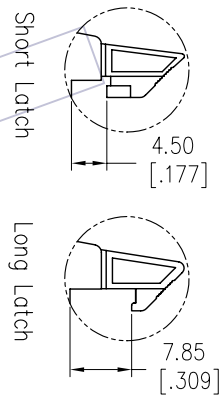
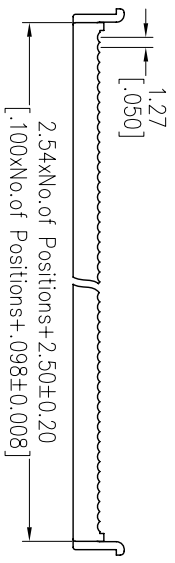
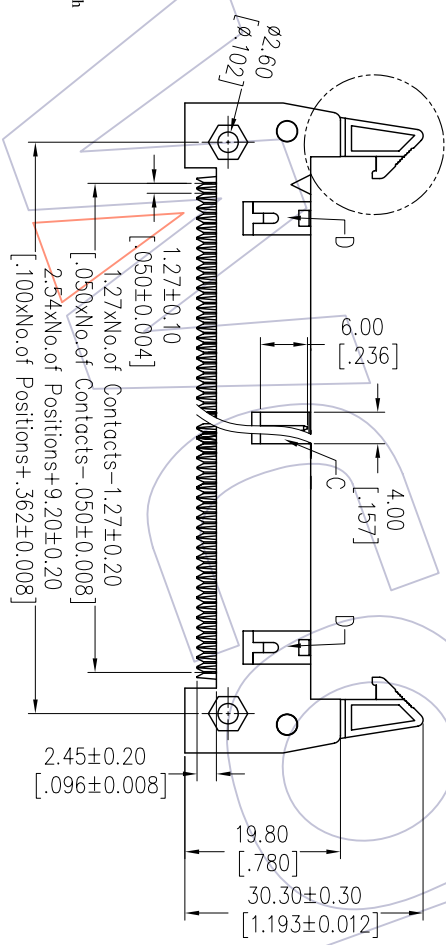
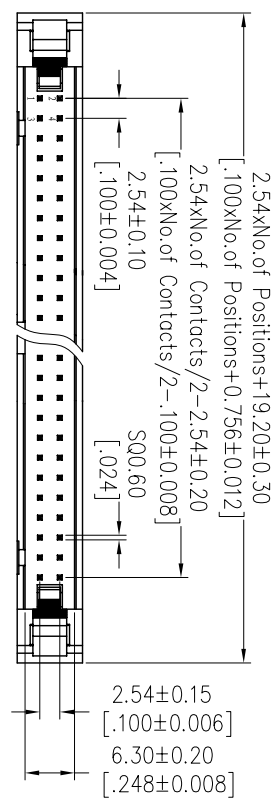
NOTES:  
 Current Rating: 3.0AMP  
 Contact Resistance: 20mΩ Max  
 Withstand Voltage: 1000V AC/DC  
 Insulation Resistance: 1000MΩ Min  
 Operation Temperature: -40°C to +105°C

Contact Material: Brass  
 Contact plating: Au over Ni  
 Insulator Material: PBT+30%G.F UL94V-0  
 10P-18P With "C", Without "D",  
 20P-64P With "C" and "D".

## Ordering Information

3820-XX XX N X X 0 1

No. of Pins Contact Plating Insulator Color Latch Type  
 10 30 S0=Gold Flash/Ni G=Grey(427C) L=Long Latch  
 14 34 S3=10μrGold/Ni E=Grey(413C) S=Short Latch  
 16 40 S4=15μrGold/Ni B=Black N=Without Latch  
 20 50 S5=30μrGold/Ni U=Blue  
 26 60  
 64



Item	Pitch	Mating
Standard	2.54	5212
Alternate		

REV	DATE	MODIFICATION DESCRIPTION	CHANGE	DIM	TOL	APPROVE	DATE	SHEET	PROJ.	PART NO.	TITLE:	Customer NO.	WCON-Dongguan	WCON-Kunshan
A1	2012/11/22	Modify The Contact Plating		X.XX	±0.40	CHECK	2012/11/22	A4		3820-XXXXXXX01	EJECTOR HEADER IDC TYPE		Tel: +86 769 85358920	Tel: +86 512 57468408
A0	2012/10/08	NEW		X.XXX	±0.15	CHECK		1/1					Fax: +86 769 85358915	Fax: +86 512 57468468
				Angle	± 3'								E-mail: sales@wcon.com	E-mail: sales@wcon.com
													Http: www.wcon.com	

# WCON

WCON-Dongguan  
 Tel: +86 769 85358920  
 Fax: +86 769 85358915  
 E-mail: sales@wcon.com

WCON-Kunshan  
 Tel: +86 512 57468408  
 Fax: +86 512 57468468  
 E-mail: sales@wcon.com