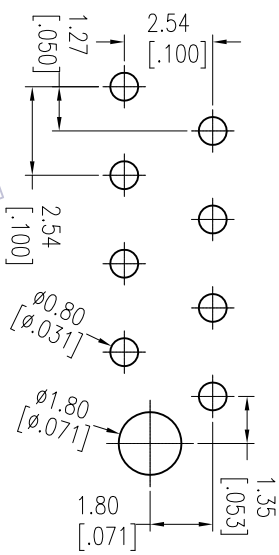
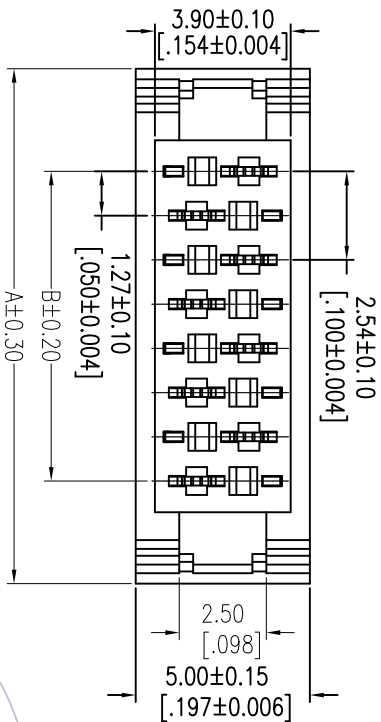




Recommended P.C.B Layout(Top Side)
(PCB BOARD TOLERANCE±0.05)

NOTES:

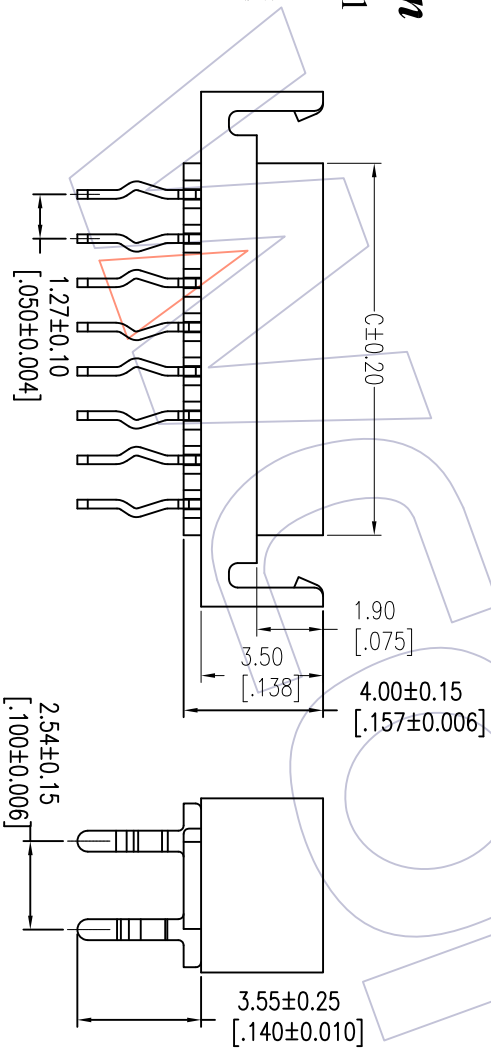
- Current Rating: 1.0AMP
- Contact Resistance: 20mΩ Max
- Withstand Voltage: 500V AC/DC
- Insulation Resistance: 1000MΩ Min
- Operation Temperature: -40°C to +105°C
- Contact Material:Phosphor Bronze
- Contact plating:Sn Over Ni
- Insulator Material:PA46+30%G.F UL94V-0



Ordering Information

3900-XX FS SN E W T 01

- No.of Pins
- 04P 12P
- 06P 14P
- 08P 16P
- 10P 18P
- 20P
- Contact Plating
- SN=Tin
- Insulator Material
- E=PA46
- Packing
- T=Tube



Circuit	Part No.	Dimension			Q'ty /Tube
		A	B	C	
04	3900-04FSSNEWT01	9.70	3.81	5.60	59
06	3900-06FSSNEWT01	12.24	6.35	8.14	47
08	3900-08FSSNEWT01	14.78	8.89	10.68	39
10	3900-10FSSNEWT01	17.32	11.43	13.22	33
12	3900-12FSSNEWT01	19.86	13.97	15.76	29
14	3900-14FSSNEWT01	22.40	16.51	18.30	25
16	3900-16FSSNEWT01	24.94	19.05	20.84	23
18	3900-18FSSNEWT01	27.48	21.59	23.38	21
20	3900-20FSSNEWT01	30.02	24.13	25.92	19



Http: www.wcon.com
 WCON-Dongguan Tel: +86 769 85358920
 WCON-Kunshan Tel: +86 512 57468408
 Fax: +86 769 85358915
 Fax: +86 512 57468468
 E-mail: sales@wcon.com
 E-mail: sales@wcon.com

OPERATION	DRAW	DATE	SCALE	FIT	PART NO.
XX	JYHuang	2014/05/28	mm		SBB TAB
XX	CHECK	DATE	SIZE	A4	TITLE:
X.XXX	Angle	± 3'	SHEET	1/1	Mini Match Socket 180° DIP
Angle	APPROVE	DATE	PROJ.		With Latch
DIW	CHANGE				Customer NO.

A2	2014/05/28	Micro Match --Mini Match	
A0	2012/10/11	NEW	
REV	DATE	MODIFICATION DESCRIPTION	