

HSF

NOTES:

Rated Current: 3.0 AMP @120V.
 Contact Resistance: 30mΩ Max.
 Withstand Voltage: 600V MAX.
 Insulation Resistance: 1000MΩ Min.
 Operation Temperature: -40°C to +105°C
 -Solid Wire: 18 AWG
 -Tin Bonded: 18 AWG(≤16 Strand)

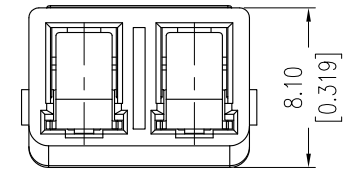
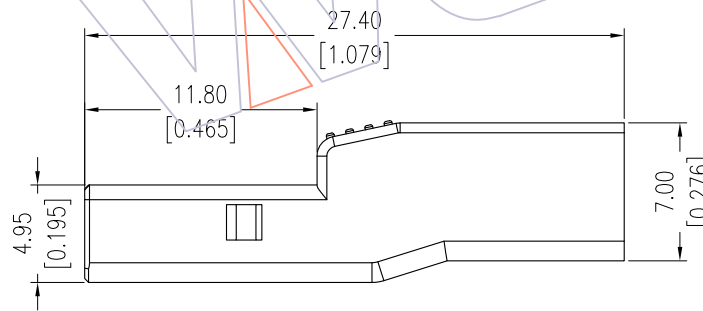
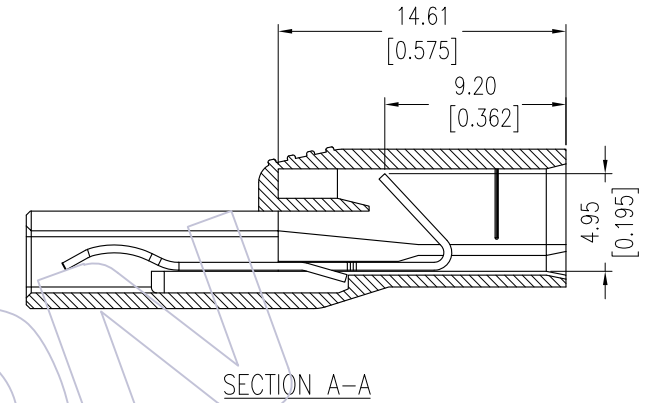
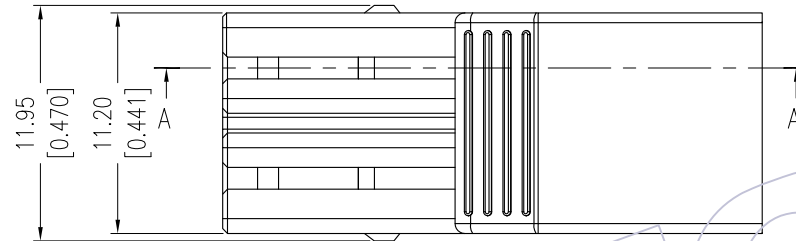
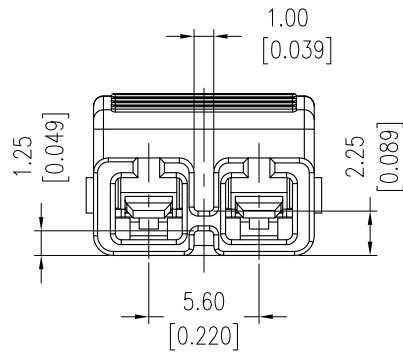
Contact Material: Phosphor Bronze(C5191)
 Contact Plating: Sn over Ni
 Main Body Material: PA66 UL94V-0

Ordering Information

L560 - HK - XX - C - 01

No. of Pins
 02: 2 pin
 03: 3 pin

Color
 C= Orange



				OPERATION	DRAW	DATE	SCALE	Fit	PART NO.
				x.x ±0.40	Allen	2015/06/15	UNIT	mm	L560-HKXXC01
				x.xx ±0.25	CHECK	DATE	SIZE	A4	TITLE:
				x.xxx ±0.15	APPROVE	DATE	SHEET	1/1	LED CONN.MALE L=27.40
AO	2015/06/15	NEW		Angle ± 3'			PROJ.	⊕	Customer NO.
REV	DATE	MODIFICATION DESCRIPTION	CHANGE	DIM TOL					

WCON

Http: www.wcon.com

WCON-Dongguan Tel: +86 769 85358920 Fax: +86 769 85358915 E-mail: sales@wcon.com	WCON-Kunshan Tel: +86 512 57468408 Fax: +86 512 57468468 E-mail: salesks@wcon.com
---	--