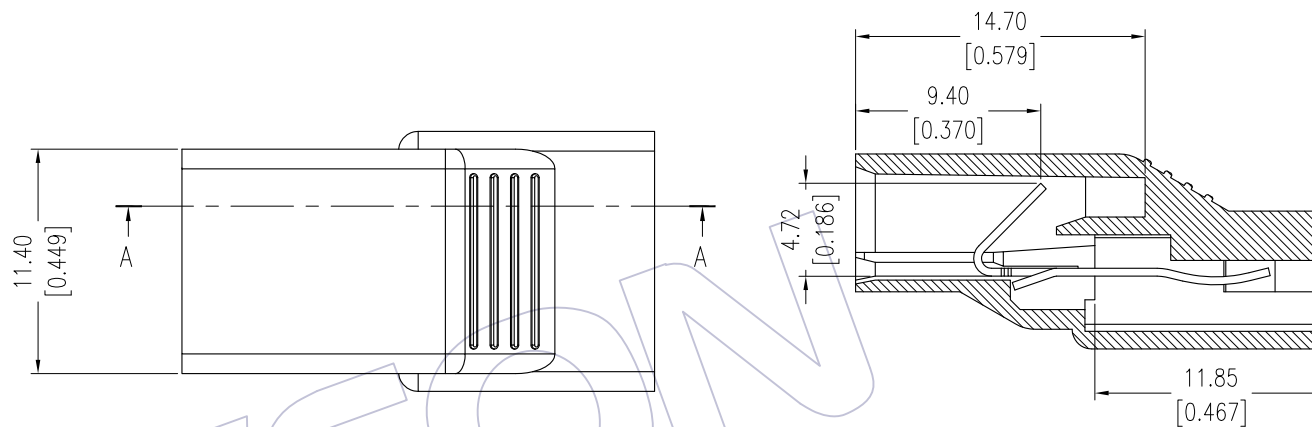


# HSF

**NOTES:**

Rated Current: 3.0 AMP @120V.  
 Contact Resistance: 30mΩ Max.  
 Withstand Voltage: 600V MAX.  
 Insulation Resistance: 1000MΩ Min.  
 Operation Temperature: -40°C to +105°C  
 Applicable Wire Range:  
 -Solid Wire: 18 AWG  
 -Tin Bonded: 18 AWG(≤16 Strand)

Contact Material: Phosphor Bronze(C5191)  
 Contact Plating: Sn over Ni  
 Main Body Material: PA66 UL94V-0

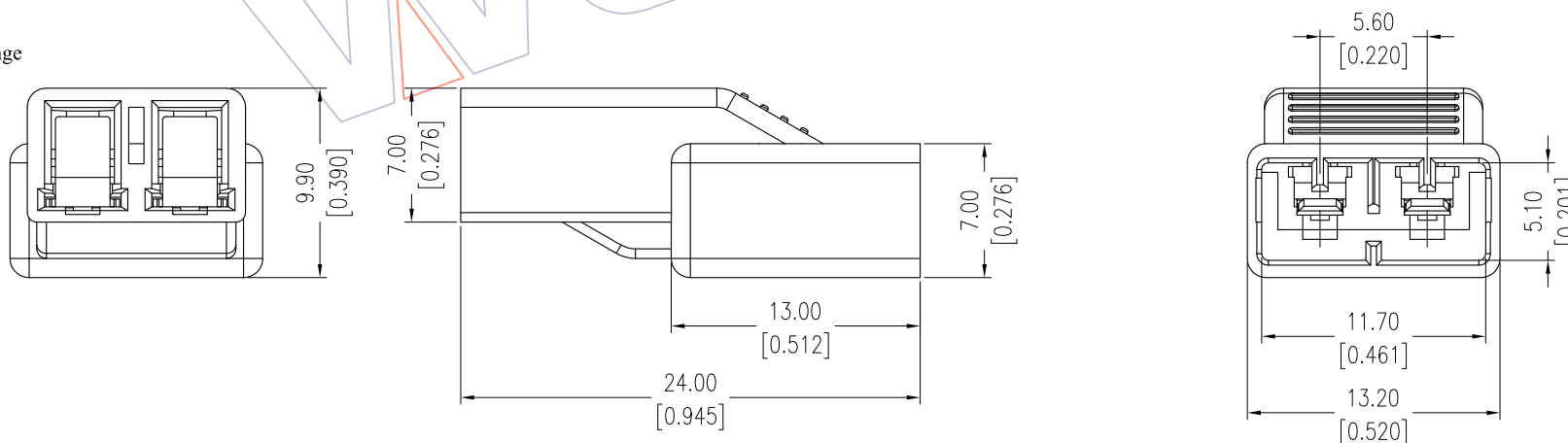


## Ordering Information

L560 - H - XX - C - 01

No. of Pins  
 02: 2 pin  
 03: 3 pin

Color  
 C= Orange



				OPERATION	DRAW	DATE	SCALE	Fit	PART NO.
				x.x ±0.40	Allen	2015/06/15	UNIT	mm	L560-HXXC01
				x.xx ±0.25	CHECK	DATE	SIZE	A4	TITLE:
				x.xxx ±0.15	APPROVE	DATE	SHEET	1/1	LED CONN.FEMALE L=24.0
AO	2015/06/15	NEW		Angle ± 3'			PROJ.		Customer NO.
REV	DATE	MODIFICATION DESCRIPTION	CHANGE	DIM TOL					

# WCON

Http: www.wcon.com

WCON-Dongguan  
 Tel: +86 769 85358920  
 Fax: +86 769 85358915  
 E-mail: sales@wcon.com

WCON-Kunshan  
 Tel: +86 512 57468408  
 Fax: +86 512 57468468  
 E-mail: salesks@wcon.com