

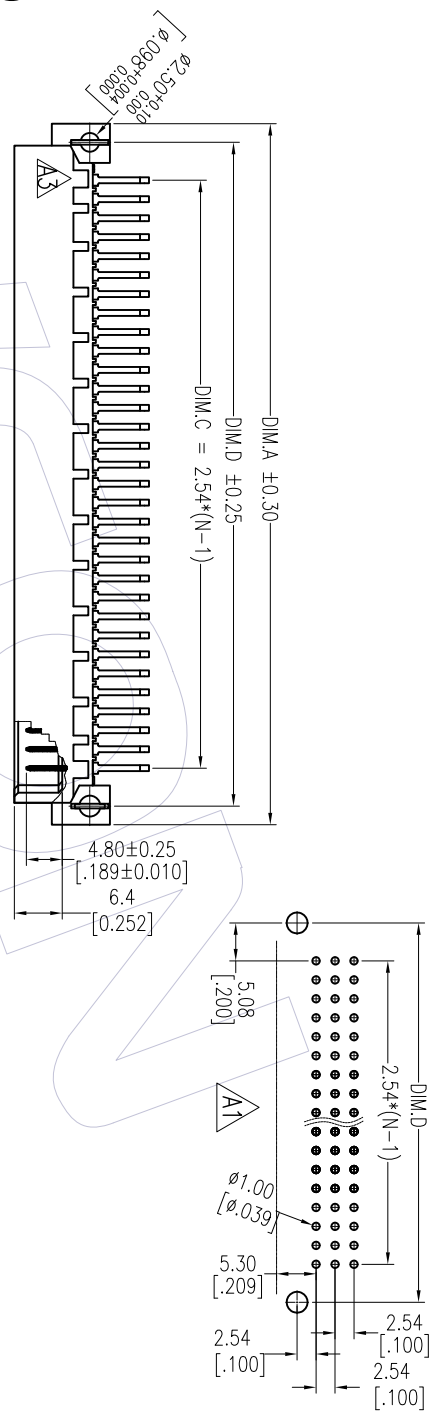
HSF

Recommended P.C.B Layout(Top Side)
(PCB BOARD TOLERANCE±0.05)

NOTES:

- Current Rating:3.0AMP
- Contact Resistance:30milliohm Max
- Withstand Voltage:1000V AC
- Insulation Resistance:1000Megohtm Min
- Operation Temperature:-55°C to +105°C

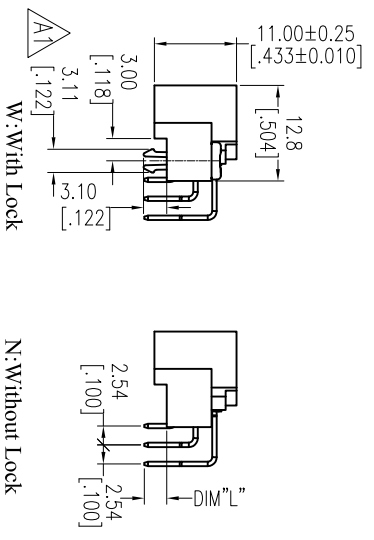
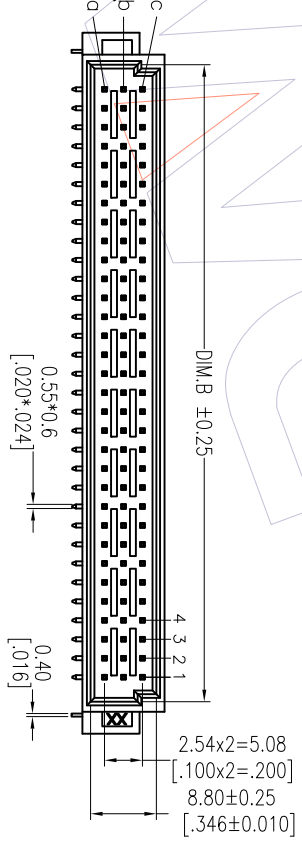
- Contact Material: Brass
- Contact Plating: Au and Sn over Ni
- Fixing Material: Phosphor Bronze
- Fixing Plating: Sn over Ni
- Insulation Material: PBT+30% G.F(UL94V-0)



Ordering Information

3410-3 XX X MR SX X A X

- No.of Pins Per Row: A=a+b+c
- Rows with contacts: B=a+b, C=a+c
- Contact Plating: S0=Gold Flash/Tin, S1=3u"Gold/Tin, S3=10u"Gold/Tin, S4=15u"Gold/Tin, S5=30u"Gold/Tin
- Packing: A=Tray, 1-1=2.50, 2-1=3.00, 3-1=4.00, 4-1=4.57
- W=With Lock, N=Without Lock



C	96	3	32	93.90	85.30	78.74	88.90
C/2	48	3	16	53.26	44.66	38.10	48.26
C/3	30	3	10	38.02	29.42	22.86	33.02
TYPE	POS.	ROWS	N	DIM.A	DIM.B	DIM.C	DIM.D

A3	2015/01/15	Modify	OPERATION	DRAW	DATE	SCALE	FIT	PART NO.	WCON Http: www.wcon.com WCON-Dongguan WCON-Kunshan Tel: +86 769 85358921 Fax: +86 769 8535891 E-mail: sales@wcon.com
A2	2014/11/05	a1,b1,c1---a,b,c	±0.40	JYHuang	2015/01/15	mm	A4	3410-3XXXMRSXXAX	
A1	2014/08/12	Modify	±0.25	CHECK	DATE	SIZE	A4	TITLE: 2.54PITCH DIN 41612 C, C/2, C/3 MALE TYPE	
A0	2014/05/29	NEW	±0.15	APPROVE	DATE	SHEET	1/1	Customer NO.	
REV	DATE	MODIFICATION DESCRIPTION	CHANGE	ANGLE	TOL	PROJ.			