

HSF

NOTES:

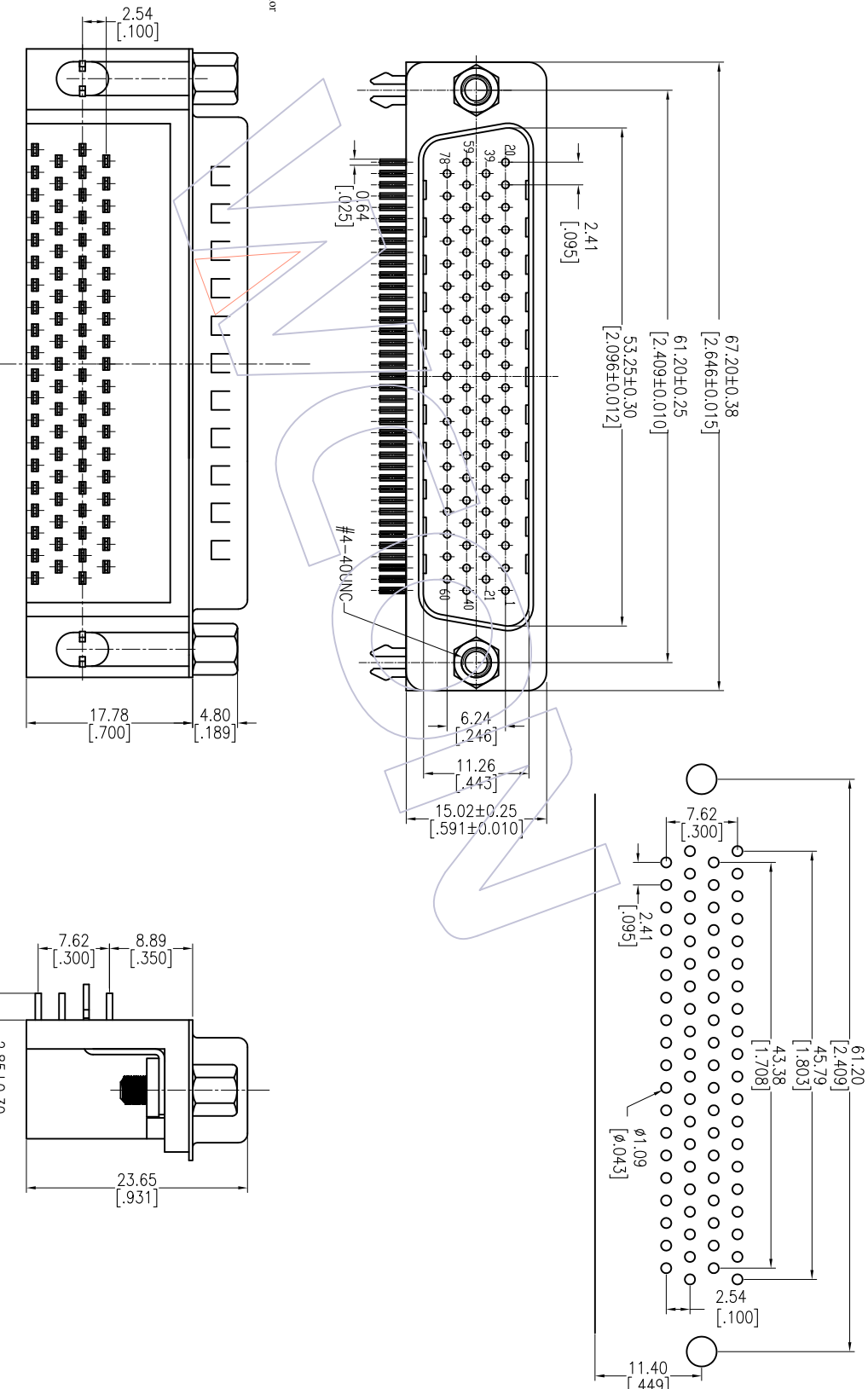
Current Rating: 5.0AMP
 Contact Resistance: 25mΩ Max
 Withstand Voltage: 500V AC/DC
 Insulation Resistance: 1000MΩ Min
 Operation Temperature: -55°C to +105°C

Contact Material: Brass
 Contact plating: Au over Ni
 Insulator Material: PBT+30%G.F UL94V-0
 Sheel: Steel, Ni Plated

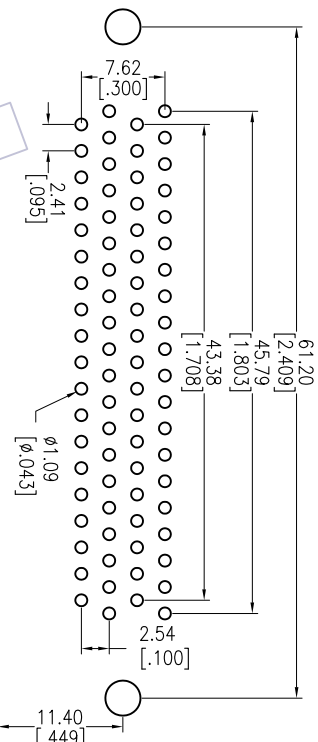
Ordering Information

6213-78 M W N XX B 01

No. of Pins 78P	Product Type W=With Revt With Screw M=With Revt Without Screw S=No Revt Lock With Screw H=With Revt With Screw(Dont lock)	Contact Plating S0=Gold Flash/Tin S3=10μ"Gold/Tin S4=15μ"Gold/Tin S5=30μ"Gold/Tin SN=Tin	Insulator Color B=Black U=Blue
--------------------	---	---	--------------------------------------



Recommended P.C.B Layout(Top Side)
 (PCB BOARD TOLERANCE±0.05)



REV	DATE	MODIFICATION DESCRIPTION	CHANGE	OPERATION	DRAW	DATE	SCALE	FIT	PART NO.	TITLE:	Customer NO.	WCON-Dongguan	WCON-Kunshan
A0	2013/12/30	NEW	---	XX	Tsing sn	2013/12/30	mm	A4	6213-78MWNXXB01	High density connector male 8.89mm footprint right angle type		Http: www.wcon.com	
				XX	CHECK	DATE	SIZE	SHEET				Tel: +86 769 85358920	Tel: +86 512 57468408
				X.XXX	± 0.15	± 3'	PROJ.					Fax: +86 769 85358915	Fax: +86 512 57468468
				Angle								E-mail: sales@wcon.com	E-mail: sales@wcon.com

WCON

WCON-Dongguan
 Tel: +86 769 85358920
 Fax: +86 769 85358915
 E-mail: sales@wcon.com

WCON-Kunshan
 Tel: +86 512 57468408
 Fax: +86 512 57468468
 E-mail: sales@wcon.com