

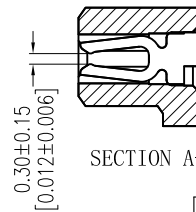
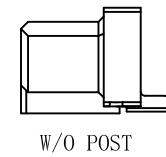
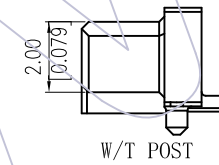
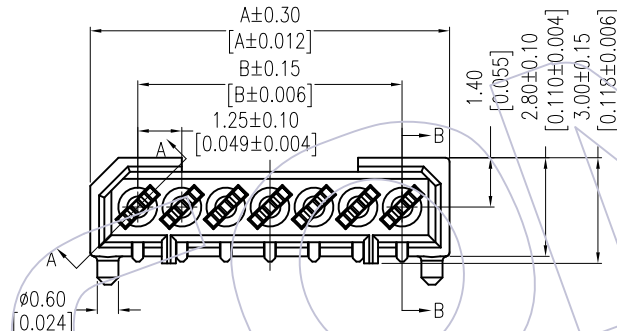
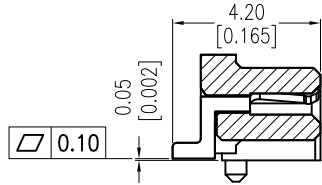
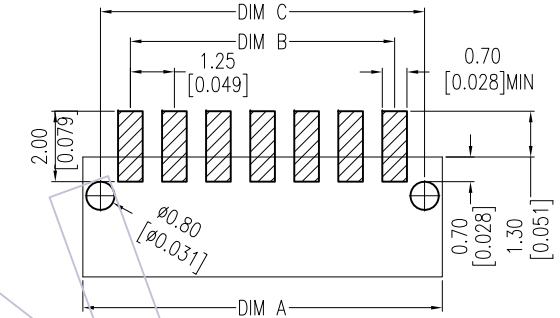
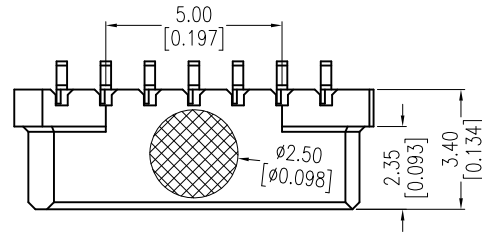
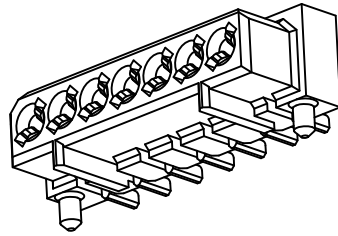
HSF

NOTES:

Voltage Rating: 50V AC/DC
 Current Raing: 0.5AMP
 Contact Resistance: 20mΩ max
 Withstand Voltage: 500V AC/Minute
 Insulation Resistance: 500MΩ min
 Operation Temperature: -40°C to +105°C

Contact Material: Phosphor Bronze
 Contact Plating: 100~200u" Tin Plated Over
 50~80u" Nickel
 Insulator Material: PA9T+33%GF UL94V-O BLACK

Recommended P.C.B Layout (Top Side)
 (PCB BOARD TOLERANCE ±0.05)



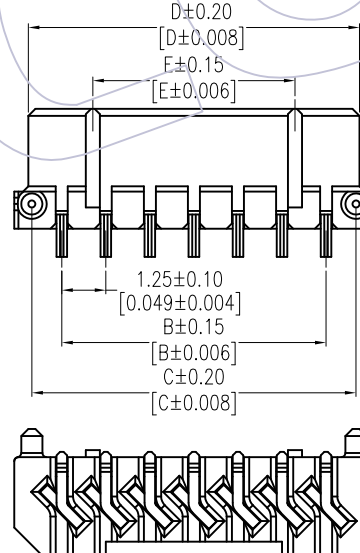
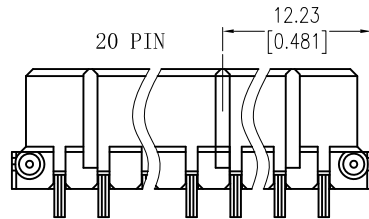
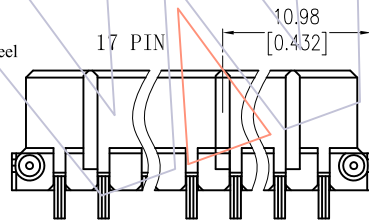
Ordering Information

3652-S XXX - 034 XX R0X

No. of Pins
 004: 04 Pin
 005: 05 Pin
 006: 06 Pin
 007: 07 Pin
 008: 08 Pin
 010: 10 Pin
 017: 17 Pin
 020: 20 Pin


Plating
 G0=Gold Flash
 G3=10u"Gold
 G4=15u"Gold
 G5=30u"Gold
 SN=Tin

Packing
 R=Tape&Reel



3652-SXXX-034SNR01	W/O POST
3652-SXXX-034SNR02	W/T POST

21.99	25.65	25.45	23.75	26.45	20
18.24	21.90	21.70	20.00	22.70	17
9.49	13.15	12.95	11.25	13.95	10
6.99	10.65	10.45	8.75	11.45	8
5.74	9.40	9.20	7.50	10.20	7
4.49	8.15	7.95	6.25	8.95	6
3.24	6.90	6.70	5.00	7.70	5
1.99	5.65	5.45	3.75	6.45	4
E	D	C	B	A	PIN数

				OPERATION		DRAW		DATE		SCALE		FIT		PART NO.		 Http: www.wcon.com WCON-Dongguan Tel: +86 769 85358920 WCON-Kunshan Tel: +86 512 57468408 Fax: +86 769 85358915 E-mail: sales@wcon.com	
				x.x ±0.40		DingWenMin		2016. 10. 20		UNIT		mm		3652-SXXX-034SNR0X			
				x.xx ±0.25		CHECK		DATE		SIZE		A4		TITLE:			
A0		2016. 10. 20		NEW		---		---		SHEET		1/1		1.25mm BTB FEMALE, 90° SMT H=3.4			
REV		DATE		MODIFICATION DESCRIPTION		CHANGE		APPROVE		DATE		PROJ.		Customer NO.			