

# HSF

**NOTES:**

Current Rating:18A  
 Voltage Rating:300V  
 Contact Resistance:8millohm Max  
 Withstand Voltage:AC2000V  
 Insulation Resistance:1000Megaohm Min  
 Screw Torque: 4.4 lbf.in  
 Wire range: 12-30AWG  
 Operation Temperature:-40°C to +105°C

Housing Material:PA66 UL94V-0  
 Cover Material:PA66 UL94-V0  
 Screw:Steel  
 Pin Block:Brass  
 Contact:Phosphor Bronze

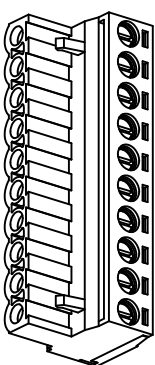
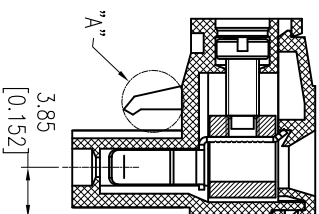
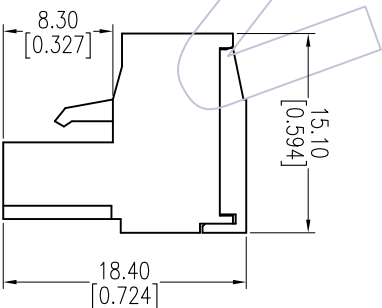
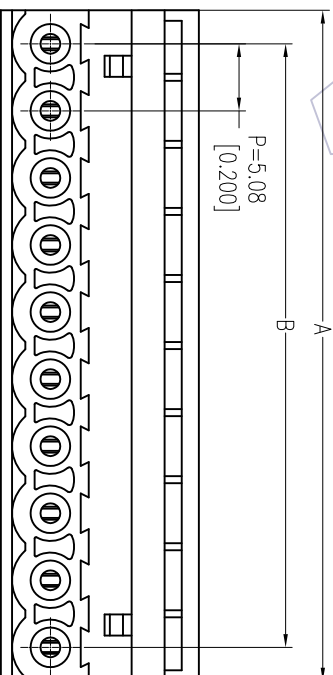
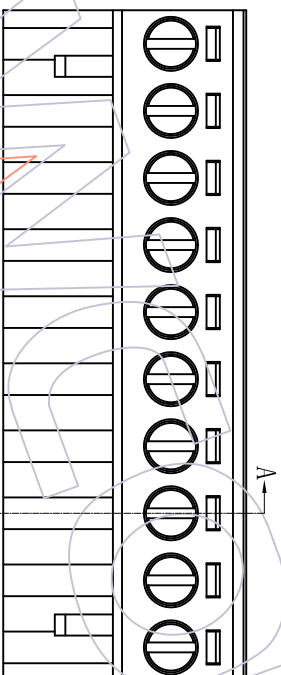
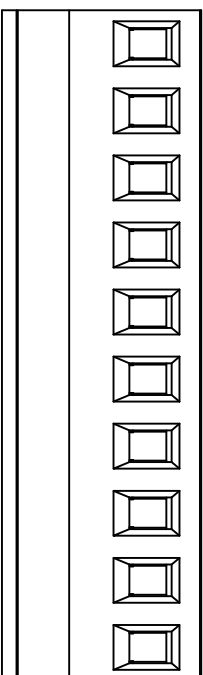
2P With 1 RAMP Locking "A"

**Ordering Information:**

P F 508 - C XX A SM N 1

F=Female Pitch 508=5.08 No. of Pins 02.24P Color Contact Plated Type  
 A=Green SM=Mature Tin N=Without Two Side Screw

13P	66.04 ±0.30	60.96 ±0.30			
12P	60.96 ±0.30	55.88 ±0.30	24P	121.92 ±0.50	116.84 ±0.50
11P	55.88 ±0.30	50.80 ±0.30	23P	116.84 ±0.50	111.76 ±0.50
10P	50.80 ±0.30	45.72 ±0.30	22P	111.76 ±0.50	106.68 ±0.50
9P	45.72 ±0.30	40.64 ±0.30	21P	106.68 ±0.50	101.60 ±0.50
8P	40.64 ±0.30	35.56 ±0.30	20P	101.60 ±0.50	96.52 ±0.50
7P	35.56 ±0.20	30.48 ±0.20	19P	96.52 ±0.40	91.44 ±0.40
6P	30.48 ±0.20	25.40 ±0.20	18P	91.44 ±0.40	86.36 ±0.40
5P	25.40 ±0.20	20.32 ±0.20	17P	86.36 ±0.40	81.28 ±0.40
4P	20.32 ±0.20	15.24 ±0.20	16P	81.28 ±0.40	76.20 ±0.40
3P	15.24 ±0.20	10.16 ±0.20	15P	76.20 ±0.40	71.12 ±0.40
2P	10.16 ±0.20	5.08 ±0.10	14P	71.12 ±0.40	66.04 ±0.40
Pin	A	B	Pin	A	B



Section A-A

A3	2015/12/15	Modify		
A2	2015/07/15	Modify		
A1	2012/05/17	MODIFY PM508-00-XX-A-SM → PF508-CXXASMN1		
A0	2011/06/08	NEW		
REV	DATE	MODIFICATION DESCRIPTION	CHANGE	

OPERATION		DRAW	
XX	±0.40	JYHuang	DATE 2015/12/15
X.XX	±0.25	CHECK	DATE
X.XXX	±0.15	APPROVE	DATE
Angle	± 3'	SHEET	PROJ.
DIM	TOL	1/1	

PART NO.	PF508-CXXASMN1
TITLE:	5.08mm Pitch Female Pluggable Terminal Blocks
Customer NO.	

**WCON**  
 Http: www.wcon.com  
 WCON-Dongguan Tel: +86 769 85358920  
 WCON-Kunshan Tel: +86 512 57468408  
 Tel: +86 769 85358915 Fax: +86 512 57468468  
 E-mail: sales@wcon.com E-mail: sales@wcon.com