

HSF

NOTES:

Current Rating: 3.0AMP
 Contact Resistance: 20mΩ Max
 Withstand Voltage: 500V AC/DC
 Insulation Resistance: 1000MΩ Min
 Operation Temperature: -55°C to +105°C

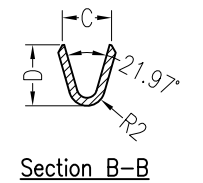
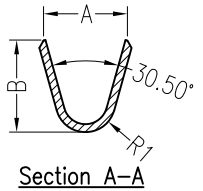
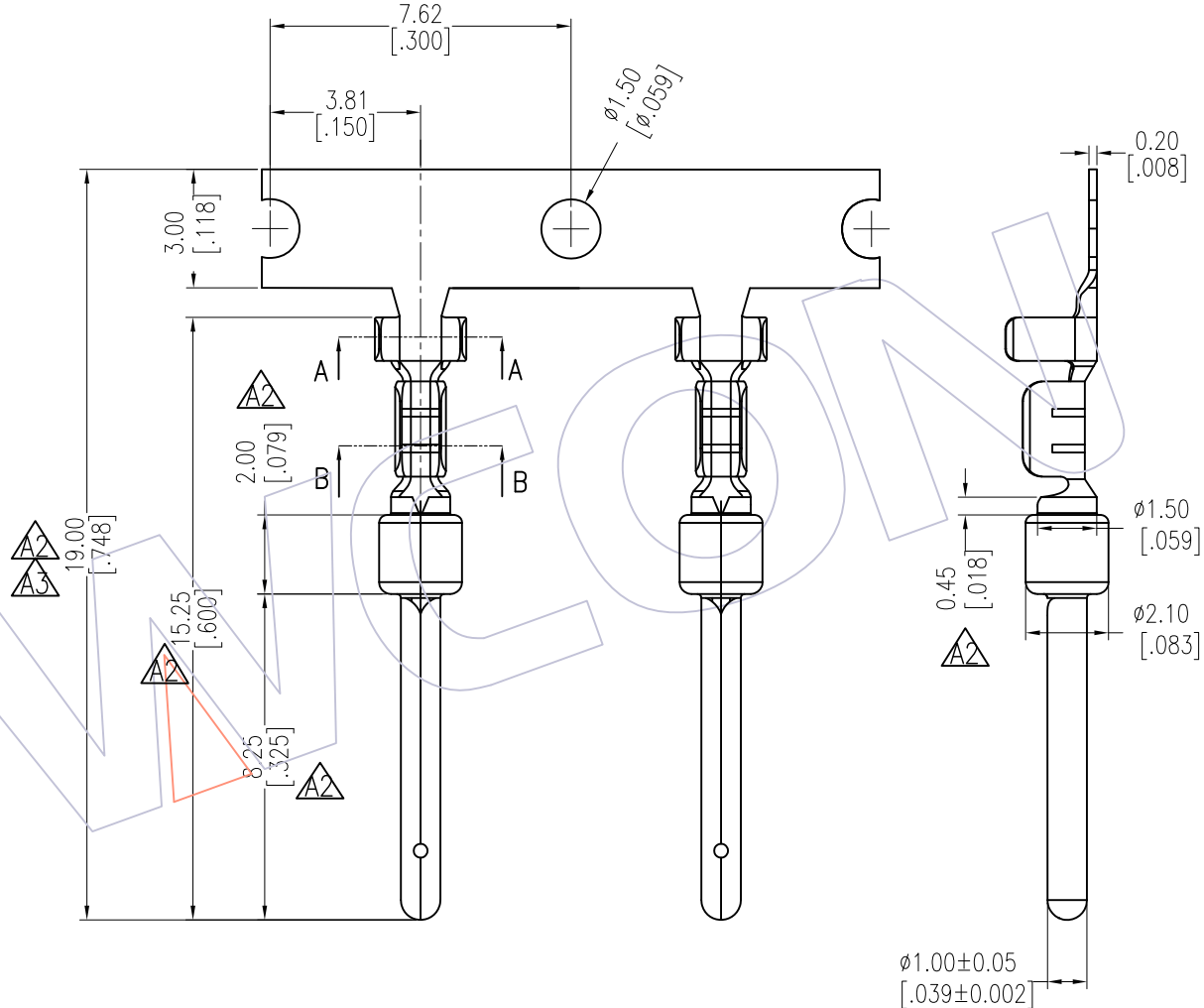
Contact Material: Phosphor Bronze/Brass
 Contact plating: Au Or Sn Over Ni

Ordering Information

T6221 - M C 0 B XX 01

Contact Material
B=Brass

Contact Plating
 G0=Gold Flash
 G1=3u"Gold
 G2=5u"Gold
 G3=10u"Gold
 S0=Gold Flash/Ni
 S3=10u"Gold/Tin
 S4=15u"Gold/Tin
 S5=30u"Gold/Tin
 SN=Tin



DIM	AWG	#24-26
A		2.14
B		2.26
C		1.75
D		1.54
R1		R0.90
R2		R0.75

REV	DATE	MODIFICATION DESCRIPTION	CHANGE	DIM	TOL	OPERATION	DRAW	DATE	SCALE	FIT	PART NO.
A3	2016/08/25	Modify	△			OPERATION	DRAW	2016/08/25	UNIT	mm	T6221-MCOBXX01
A2	2015/09/03	Modify	△	x.X	±0.40		Surong Xu		SIZE	A4	TITLE:
A1	2015/03/13	Modify	△	x.XX	±0.25	CHECK			SHEET	1/1	D-SUB CONNECTOR
A0	2013/01/08	NEW	---	x.XXX	±0.15				PROJ.	CRIMP TYPE MALE TERMINAL	Customer NO.
				Angle	± 3'	APPROVE					

WCON

Http: www.wcon.com

WCON-Dongguan
Tel: +86 769 85358920
Fax: +86 769 85358915
E-mail: sales@wcon.com

WCON-Kunshan
Tel: +86 512 57468408
Fax: +86 512 57468468
E-mail: salesks@wcon.com