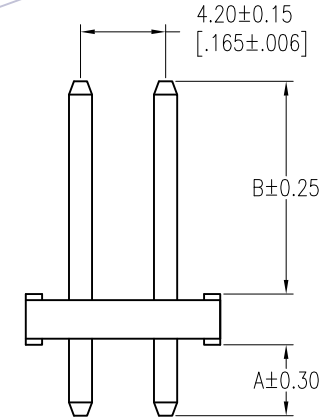
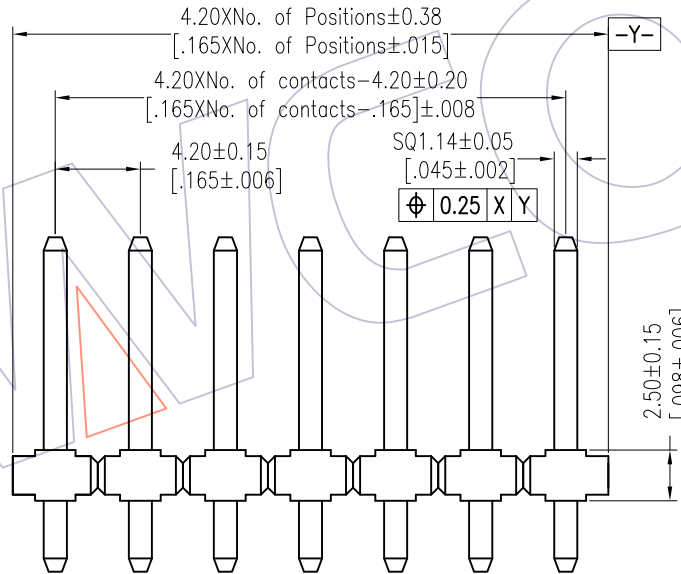
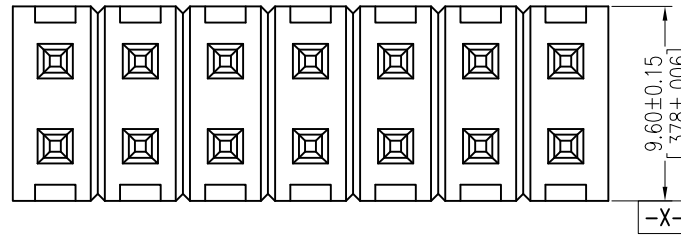
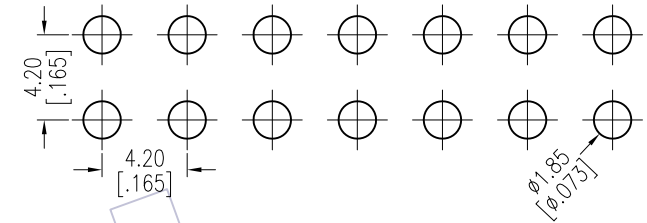


HSF

NOTES:
 Rated Current:7.0AMP.
 Contact Resistance:20mΩ Max.
 Withstand Voltage:1000V AC/DC
 Insulation Resistance:1000MΩ Min.
 Operation Temperature:-40°C to +105°C

Contact Material:Brass
 Contact Plating:Sn Over Ni
 Insulator Material:PA9T+33%G.F UL94V-0 BK

Recommended P.C.B Layout (Top Side)
 (PCB BOARD TOLERANCE±0.05)



Ordering Information

1C25-12 XX XX S XXX C 0 XX

No.of Pins Contact Plating Pin Length Insulator Packing Series No.
 Per Row:02-20 SN=Tin L=A+B+2.5 C=PA9T 0=PE Bag 01-99
 SM=Matte Tin Std:175=17.5

Item	Pin Length	A	B	Mating
Standard	17.5	3.50	11.50	--
Alternate				

REV	DATE	MODIFICATION DESCRIPTION	CHANGE	OPERATION	DRAW	DATE	SCALE	Fit	PART NO.
A1	2018/01/23	MODIFY PART NO.	-----	x.x ±0.40	William Chen	2018/01/23	UNIT	mm [inch]	1C25-12XXXXXXCXXX
A0	2014/08/05	NEW	-----	x.xx ±0.25	CHECK	DATE	SIZE	A4	TITLE:
				x.xxx ±0.15	APPROVE	DATE	SHEET	1/1	4.20 Pin Header, DUAL ROW, S/T, H=2.5
				Angle ± 3'			PROJ.	φ	Customer NO.
				DIM TOL					

WCON
 Http: www.wcon.com

WCON-Dongguan
 Tel: +86 769 85358920
 Fax: +86 769 85358915
 E-mail: sales@wcon.com

WCON-Kunshan
 Tel: +86 512 57468408
 Fax: +86 512 57468468
 E-mail: salesks@wcon.com